

PRODUCT LINE SUMMARY

Product Line Summary



**LB Series
Lever Hoists**
3/4–9 Ton



**LX Series
Mini Pullers**
1/4–1/2 Ton



**CB Series
Hand Chain Hoists**
1/2–100 Ton



**RCB Series
Spark Resistant
Hand Chain Hoists**
1/2–3 Ton



**CF Series
Hand Chain Hoists**
1/2–5 Ton



**CX Series
Mini Hand Chain Hoists**
1/4–1/2 Ton



**NTH Series
Low Headroom
Hand Chain Hoists
Push Trolleys**
1–5 Ton



**SHB Series
Ultra-Low Headroom
Hand Chain Hoists
Geared Trolleys**
1–10 Ton



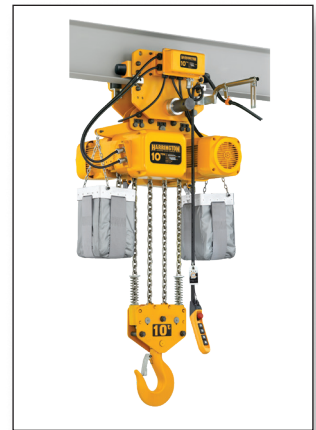
**(N)ER Series
Electric Hoists**
3-Phase
1/8–5 Ton



**(N)ER Series
Electric Hoists
Large Capacity**
3-Phase
8–20 Ton



**(N)ERM Series
Electric Hoists
Electric Trolleys**
3-Phase
1/8–5 Ton



**(N)ERM Series
Electric Hoists
Electric Trolleys
Large Capacity**
3-Phase
8–20 Ton

Product Line Summary



**(N)ERP Series
Electric Hoists
Push Trolleys
3-Phase
1/8–5 Ton**



**(N)ERP Series
Electric Hoists
Push Trolleys
Large Capacity
3-Phase
8–10 Ton**



**(N)ERG Series
Electric Hoists
Geared Trolleys
3-Phase
1/8–5 Ton**



**(N)ERG Series
Electric Hoists
Geared Trolleys
Large Capacity
3-Phase
8–20 Ton**



**(N)ER-CC Series
Electric Hoists
3-Phase
Cylinder Control
1/8–1/4 Ton**



**NERM-FG Series
Food Grade Electric Hoists
Electric Trolleys
3-Phase
1/4–2 Ton**



**TNER Theatrical Series
Electric Hoists
3-Phase
1/2–2 Ton**



**EQ/SEQ Series
Electric Hoists
3-Phase & 1-Phase
1/8–1 Ton**



**SNER Series
Electric Hoists
1-Phase
1/4–3 Ton**



**SNERM Series
Electric Hoists
Electric Trolleys
1-Phase
1/4–3 Ton**



**ED-V/DS/DSA Series
Electric Hoists
1-Phase
Single/Dual Speed
125–1,050 Lbs.**



**ED-DA Series
Electric Hoists
1-Phase
Dual Adjustable
125–525 Lbs.**



TCR Series
Air Hoists
Cord or Pendant Control
1/4–25 Ton



TCK Series
Air Hoists
Cord or Pendant Control
3–6 Ton



TCKM Series
Air Hoists
Air Trolleys
Pendant Control
3–6 Ton



TCS Series
Air Hoists
Cord or Pendant Control
1/4–1 Ton



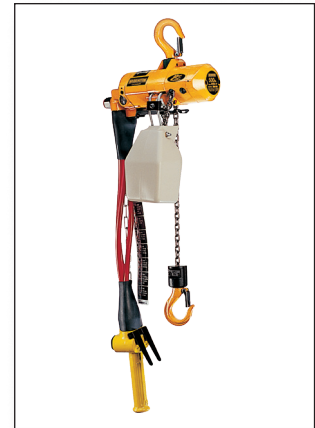
TCL Series
Lube Free Air Hoists
Cord or Pendant Control
1/4–6 Ton



TCLM Series
Lube Free Air Hoists
Air Trolleys
Pendant Control
1/4–6 Ton



TCW Series
Lube Free Wash Down
Air Hoists
Cord or Pendant Control
1/2–1 Ton



AH Series
Air Hoists
Cord or Pendant Control
250–500 Lbs.



AH Series
Air Hoists
Manipulator Control
250–500 Lbs.



RY Series
Electric Wire Rope Hoists
Electric Trolleys
Ultra-Low Headroom
3–10 Ton



SHLT Series (Static)
DHLT Series (Dynamic)
Hoist Load Testers
1/8–10 Ton

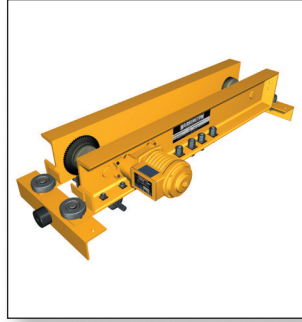


Universal
Beam Clamps
1–10 Ton

Product Line Summary



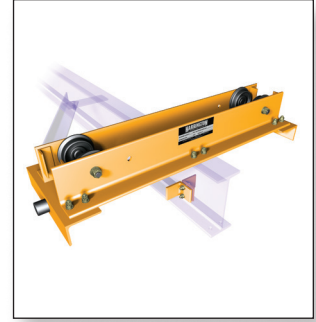
**Series 3
Motorized End Trucks**
Top: 1–10 Ton
Underhung: 2–5 Ton



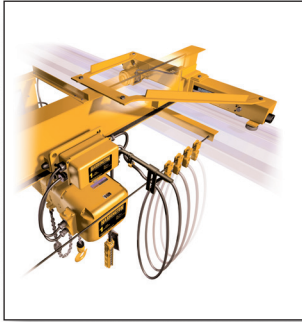
**Series 3
Push End Trucks**
Top: 1–5 Ton
Underhung: 2–5 Ton



**Series 3
Geared End Trucks**
Top: 1–5 Ton
Underhung: 2–5 Ton



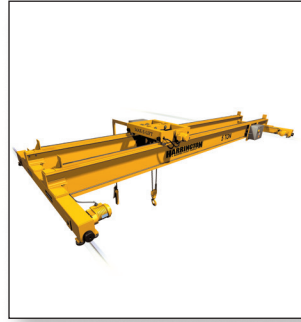
**HPC Series
Push End Trucks
Top or Underhung
Convertible**
1/2–2 Ton



**Series 3
Complete Cranes
Single Girder
Motorized, Push
or Geared
Top**



**Series 3
Complete Cranes
Single Girder
Motorized, Push
or Geared
Underhung**



**Series 3
Complete Cranes
Double Girder
Motorized or Geared
Top or Underhung**



**HPC Series
Complete Cranes
Single Girder
Push
Top or Underhung**



**Tiger Track
Jib and Gantry Cranes**



**Below-The-Hook and
Material Handling Equipment**



**PT Series
Push Trolleys**
1/2–10 Ton



**GT Series
Geared Trolleys**
1/2–20 Ton

Harrington Hoists, Inc.
401 West End Avenue
Manheim, PA 17545



Toll Free: 800-233-3010
Phone: 717-665-2000
Fax: 717-665-2861