



INDUSTRIAL GANTRY CRANES

Brochure Release Date - 10-01-2022

ISO 9001:2015 Registered

All specifications are subject to change without prior notice. To ensure that you have the most accurate information, please download the brochure in the Literature section on Spanco.com.

SPANCO GANTRY CRANES

SELECTOR GUIDE

Gantry Crane Type	T-Series	A-Series	Aluminum	E-Series	PF-Series	Single Leg	Wide Flange
Key Features	Adjustable span, height, & tread	Greater clear spans; adjustable height models	Lightweight, fast assembly, & disassembly, adjustable, & Fast-Track models available	Economical, durable, & dependable	High capacity, high height, & long span	Maximized floor space	For specialized applications
Standard Capacities*	Up to 10 tons	Up to 10 tons	Up to 3 tons	Up to 5 tons	Up to 15 tons	Up to 15 tons	Up to 15 tons
Max. Height*	24' <i>(OVERALL HEIGHT)</i>	16' <i>(UNDER BEAM)</i>	12' <i>(UNDER BEAM)</i>	14' <i>(UNDER BEAM)</i>	35' <i>(UNDER BEAM)</i>	35' <i>(UNDER BEAM)</i>	35' <i>(UNDER BEAM)</i>
Standard Spans*	Up to 40'	Up to 40'	Up to 20'	Up to 12'	Up to 50'	Up to 50'	Up to 55'
Powered Trolley Compatible	Yes	No	No	No	Yes	Yes	Yes
Power Travel Compatible	No	No	No	No	Yes	Yes	Yes
Key Options*	Cart Kit & Height Adjustment Kit	Steel w/ fixed or adjustable span; Aluminum w/ adjustable span	Pneumatic tires, single or dual	Adjustable height; wheel brakes	Trackless, angle guide, or V-groove track guidance	Single (semi), double leg or wide-flange designs	Single (semi) or double leg designs; double girder option

*The maximum capacities and dimensions listed above vary depending on the combination of the span, capacity, and HUB selected for the system. Larger spans and heights may be available. Contact your local Spanco dealer or call us at 800-869-2080.

WHY SPANCO?

- 1** We carry the widest selection of pre-engineered, ready-to-ship gantry cranes in America.
- 2** We have the willingness and ability to custom engineer gantry solutions for your unique applications. Our business model readily handles “one-of-a-kind” design challenges.
- 3** Our engineers do comprehensive finite element analysis and destructive testing during the Research and Development process to ensure the highest quality cranes.
- 4** All of our gantry cranes — including custom engineered models — meet or exceed standards set by:
 - The Crane Manufacturers Association of America (CMAA)
 - The Occupational Safety and Health Administration (OSHA)
- 5** We deliver exceptional weld quality. Since our beginnings in 1979, all of our welders have been certified by the American Welding Society.
- 6** Our precision manufacturing ensures you that your gantry will operate smoothly and precisely for years to come.
- 7** We've embraced ISO 9001:2015 quality management systems, especially as a means to monitor the quality of our products and interactions with customers, dealers, and reps.
- 8** All system proposals begin with an on-site evaluation of your material handling needs and expert recommendations by our trained Spanco dealers.
- 9** We don't play favorites: we engineer and manufacture a full portfolio of workstation lifting solutions — from Jib cranes to bridge cranes — so you can be assured that all of our system recommendations will be guided by your application's best interests.
- 10** Our cranes are delivered on-time and in the most thorough and protective packaging in the crane industry.
- 11** Our dealers provide continuous on-site technical support for all of our customers.
- 12** Our cranes are backed by the best warranties in the industry: Ten years for all systems and two years for motorized components.



Workers using two Motorized Spanco PF-Series Gantry Cranes to load and transfer steel bundles.



A Spanco worker in Las Vegas welding the A-frame on an Aluminum Gantry Crane.

SPANCO GANTRY CRANES

GANTRY CRANE TABLE OF CONTENTS



2 Spanco® Gantry Crane Selector Guide

3 Why Spanco?

6 The Ultimate in Crane Versatility

8 T-Series

Offers the greatest flexibility for adjusting gantry span, height, and tread. True A-frame gantry crane design.



14 A-Series

No brace legs means greater clear spans. Adjustable height and span are available.



20 Aluminum

As light as 120 pounds & fits in service trucks. Fast assembly. Adjustable span & height. Optional pneumatic tires.



22 E-Series

Straightforward, economical gantry cranes meant for long service life. Made of high-strength square mechanical tubing.

26 PF-Series

High-capacity high-height, long-span gantry cranes. Power drive options: V-groove track, guide angle, or truly trackless.



31 Single Leg

Semi gantries run on a single leg, with one end on the floor and the other overhead. Maximizes space; great for narrow, confined areas.



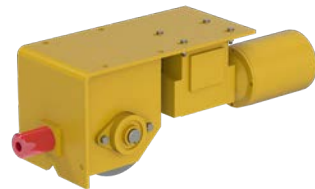
32 Wide Flange

Our highest capacity cranes, made from Wide-Flange beams for specialized applications. Single or double leg designs.



34 Power Drive Kits

PF-Series retrofit drive kits for high-volume high-capacity gantry travel. V-groove track, guide angle, or trackless.



36 Tripod

Mobile, heavy-lifting solutions great for tight spaces and outdoor locations.



39 Spanco Warranty

SPANCO GANTRY CRANES

THE ULTIMATE IN VERSATILITY & PORTABILITY

Moving and lifting heavy materials doesn't have to involve installing expensive equipment — or permanently changing your facility.

- Our gantry cranes are designed for quick assembly and disassembly, making them ideal for deploying and redeploying at rented facilities or for sharing with multiple facilities.
- For travel over a fixed route, V-groove tracks and guide angles simply lag bolt to your existing floor.
- Our larger gantry cranes can be more cost-effective than bridge cranes in some heavy load applications. For example, long distance travel (e.g., over 150 feet) would make bridge crane runways and foundations very expensive.
- Spanco Gantry Cranes can readily move loads from indoors to outdoors or between buildings; weatherization options are available for outdoor use.



Spanco A-Series Gantry Crane in action

NOTE: If using a motorized trolley, Spanco recommends using the PF or T-Series Gantries.

AFFORDABLE LIFTING SOLUTIONS, FROM LARGE TO SMALL

Portable Gantry Cranes: Spanco T-Series, A-Series, Aluminum, and E-Series Gantry Cranes can roll to all corners of your plant. Lift and move materials, or use for pulling motors, implements, and other heavy machinery.

Adjustable Gantry Cranes: Choose from Spanco T-Series, A-Series, Aluminum, and E-Series Gantry Cranes based on your need to adjust height, span, or tread. Our adjustable gantries let you move materials over uneven floors or through tight doorways and aisles. These adjustable models are popular in fabrication shops, warehouses, and wherever flexibility is required.

Fixed-Path Gantry Cranes: To keep your gantry cranes moving along a fixed route, add an angle guide or V-groove track.

Relocatable Gantry Cranes: Virtually all of our gantries are relocatable, making them ideal for future workflow changes.

UNSURPASSED PRECISION CRANE QUALITY

Spanco Gantry Cranes Are Unsurpassed in Design Strength, Durability, and Quality Construction:

- Precision tolerances and welding for exact component alignment, smooth operation, superior stability, and long life.
- We only use standardized, quality I-beams.
- All nuts, bolts, and pins are plated for corrosion resistance, and all gantry cranes are painted Spanco Yellow Industrial Enamel.
- High-quality, long-lasting, non-marring, polyurethane-covered steel casters are standard on all of our gantry cranes. They easily withstand oil and most other chemicals, while providing smooth rolling performance — even on rough floors.
- Outdoor use options are available, including exterior coatings and stainless steel motors.

A 'set-up site' manufacturer of light rail cars uses a Spanco Motorized 7.5-ton PF-Series Gantry Crane to lift and move large drive train chassis through a long assembly process. Then, fiberglass shells are mounted onto the chassis using two 10-Ton Spanco T-Series Steel Adjustable Gantry Cranes. The cranes are used in tandem with a webbing sling to lift the shells onto the chassis. When they're finished with one project, the workers simply disassemble the cranes and move them to the next location.



Spanco Motorized PF-Series Gantry Crane

A leading manufacturer

of commercial modular buildings changed its production process and needed a way to handle 6,500-pound bundles of steel. The steel's length and the plant's small size made the use of Combilifts™ unsafe and inefficient. The low ceilings required a custom-engineered, application-specific, material handling solution: two small Spanco Motorized PF-Series Gantry Cranes tied together with upper and lower steel channels and guided by double V-groove tracks.



Custom Spanco Motorized PF-Series Gantry Crane System

GANTRY CRANES T-SERIES

THREE-WAY ADJUSTABILITY FOR EXTRAORDINARY VERSATILITY

Spanco® T-Series Gantry Cranes offer three-way adjustability for span, height, and tread. Their adjustment flexibility allows use on uneven floors, as well as passage through doorways, aisles, and under mezzanines or other overhead obstacles.



Superior Stability: Superior engineering leaves the I-beam free to pivot as it self-centers over the load, while the "A"-frame design keeps the rest of the crane perfectly stable. Main legs, brace legs, and caster frames are made of heavy-gauge, square tubing with zinc-plated hardware.

Adjustable Span: Our exclusive Spanloc™ design securely holds the I-beam in place during adjustments and when in use.

Cantilever Options: Deliver materials through the end of the gantry. Cantilever up to 25 percent of the rated capacity (four-foot maximum) using a counterweight.

Adjustable Height: Adjust in six-inch intervals using push/pull pins on the main legs.

Adjustable Tread: A cable assembly – bolted inside the caster frame tubes – prevents overspreading.

Heavy-Duty Casters: Four-position, swivel-lock casters with moldon polyurethane wheels protect floors from damage.

*Manual Spanco
T-Series Gantry Crane
operated in a cantilever
configuration*



SPANCO T-SERIES GANTRY CRANES

T-Series	Capacities*	Heights Under I-Beam*	Span Lengths*
All-Steel	Up to 10 tons	Up to 22' 3"	Up to 40'
Aluminum I-Beam	Up to 3 tons	Up to 21' 10"	Up to 15'

*The maximum capacities and dimensions listed above vary depending on the combination of the span, capacity, and HUB selected for the system. Larger spans and heights may be available.



Dual Spanco T-Series Gantry Cranes

OPTIONS FOR T-SERIES GANTRY CRANES

Aluminum I-Beam: Significantly reduces gantry weight, particularly on higher-capacity cranes. Available up to 3-ton capacity with 10 or 15-foot spans.

Cart Kits: Attach to caster frames to transform the disassembled gantry into a transportable handcart.

Detachable Height Adjustment Kits: Convenient for frequent height adjustments. Eliminates the need for an overhead hoist or forklift truck. Kits consist of two units. Order two kits to eliminate transfer of kits from end to end. Use under no-load conditions only.

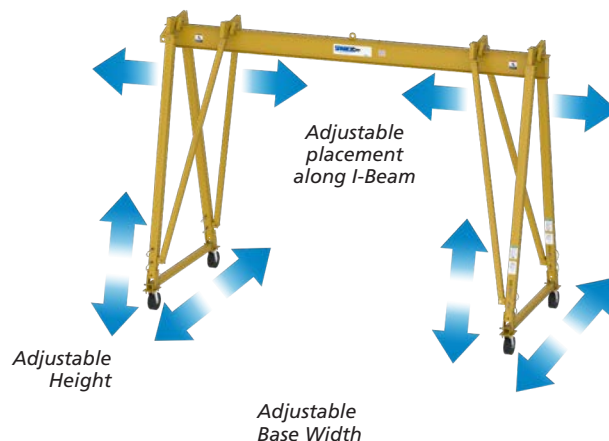
Caster Options:

- Wheel brakes on polyurethane casters
- Steel V-groove casters with rigid body for use on V-groove tracks
- Nylacron™ wheels available for easier movement on higher-capacity gantry cranes.

Steel V-groove casters for use with V-groove track



Detachable Height Adjustment Kit



T-Series Cart Kit

SPANCO GANTRY CRANES

T-SERIES All-Steel Construction



A CAPACITY	B1 OVERALL SPAN	B2 MAX. SPAN BETWEEN WHEEL CENTERS	C CLEAR SPAN	D1 HEIGHT UNDER BEAM		D2 OVERALL HEIGHT		E1 BEAM SIZE	E2 FLANGE WIDTH	F CASTER FRAME SPREAD		G WHEEL DIA.	H MAX. LEG CLEAR	NET WT (LBS.)	MODEL
				Min.	Max.	Min.	Max.			Min.	Max.				
1 TON	10'	9' 1"	5' 1"	6' 2"	9' 6"	7' 0"	10' 4"	S6"X12.5#	3-3/8"	4' 7"	7' 1"	8"	10"	890	1T109S
		9' 1"	5' 1"	7' 6"	12' 1"	8' 5"	13' 0"	S6"X12.5#	3-3/8"	6' 2"	10' 2"	8"	11"	997	1T1012S
		9' 1"	5' 0"	9' 9"	14' 11"	10' 7"	15' 9"	S6"X12.5#	3-3/8"	6' 2"	10' 2"	8"	10"	1,090	1T1015S
		9' 1"	5' 0"	11' 7"	18' 1"	12' 5"	18' 11"	S6"X12.5#	3-3/8"	7' 7"	13' 1"	8"	11"	1,302	1T1018S
	15'	9' 1"	5' 0"	14' 0"	21' 0"	14' 10"	21' 10"	S6"X12.5#	3-3/8"	7' 7"	13' 1"	8"	10"	1,406	1T1021S
		14' 1"	10' 3"	6' 0"	9' 3"	7' 0"	10' 4"	S8"X18.4#	4"	4' 7"	7' 1"	8"	11"	1,010	1T159S
		14' 1"	10' 2"	7' 4"	11' 11"	8' 5"	13' 0"	S8"X18.4#	4"	6' 2"	10' 2"	8"	13"	1,110	1T1512S
		14' 1"	10' 1"	9' 7"	14' 9"	10' 7"	15' 9"	S8"X18.4#	4"	6' 2"	10' 2"	8"	11"	1,204	1T1515S
	20'	14' 1"	10' 0"	11' 5"	17' 10"	12' 5"	18' 11"	S8"X18.4#	4"	7' 7"	13' 1"	8"	12"	1,417	1T1518S
		14' 1"	10' 0"	13' 10"	20' 10"	14' 10"	21' 10"	S8"X18.4#	4"	7' 7"	13' 1"	8"	11"	1,520	1T1521S
		19' 1"	15' 3"	7' 2"	11' 9"	8' 5"	13' 0"	S10"X25.4#	4-5/8"	6' 2"	10' 2"	8"	13"	1,406	1T2012S
		19' 1"	15' 2"	9' 5"	14' 7"	10' 7"	15' 9"	S10"X25.4#	4-5/8"	6' 2"	10' 2"	8"	11"	1,500	1T2015S
	25'	19' 1"	15' 1"	11' 3"	17' 9"	12' 5"	18' 11"	S10"X25.4#	4-5/8"	7' 7"	13' 1"	8"	12"	1,710	1T2018S
		18' 11"	13' 4"	13' 8"	20' 8"	14' 10"	21' 10"	S10"X25.4#	4-5/8"	7' 7"	13' 1"	8"	11"	1,826	1T2021S
		24' 1"	20' 4"	7' 2"	11' 9"	8' 6"	13' 2"	S12"X31.8#	5"	6' 2"	10' 2"	8"	15"	2,138	1T2512S
		24' 1"	20' 2"	9' 5"	14' 6"	10' 9"	15' 11"	S12"X31.8#	5"	6' 2"	10' 2"	8"	13"	2,260	1T2515S
	30'	24' 1"	20' 1"	11' 2"	17' 8"	12' 7"	19' 0"	S12"X31.8#	5"	7' 7"	13' 1"	8"	14"	2,474	1T2518S
		23' 11"	18' 4"	13' 7"	20' 8"	14' 11"	22' 0"	S12"X31.8#	5"	7' 7"	13' 1"	8"	15"	2,697	1T2521S
		29' 1"	25' 5"	6' 11"	11' 6"	8' 6"	13' 2"	S15"X42.9#	5-1/2"	6' 2"	10' 2"	8"	19"	2,758	1T3012S
		29' 1"	25' 4"	9' 2"	14' 3"	10' 9"	15' 11"	S15"X42.9#	5-1/2"	6' 2"	10' 2"	8"	19"	2,880	1T3015S
	35'	29' 1"	25' 3"	10' 11"	17' 5"	12' 7"	19' 0"	S15"X42.9#	5-1/2"	7' 7"	13' 1"	8"	17"	3,094	1T3018S
		28' 11"	23' 5"	13' 4"	20' 5"	14' 11"	22' 0"	S15"X42.9#	5-1/2"	7' 7"	13' 1"	8"	16"	3,322	1T3021S
		34' 1"	30' 5"	6' 11"	11' 6"	8' 6"	13' 2"	S15"X42.9#*	5-1/2"	6' 2"	10' 2"	8"	19"	2,730	1T3512S
		34' 1"	30' 3"	9' 2"	14' 3"	10' 9"	15' 11"	S15"X42.9#*	5-1/2"	6' 2"	10' 2"	8"	16"	2,826	1T3515S
	40'	34' 1"	30' 3"	10' 11"	17' 5"	12' 7"	19' 0"	S15"X42.9#*	5-1/2"	7' 7"	13' 1"	8"	17"	3,037	1T3518S
		33' 11"	28' 5"	13' 4"	20' 5"	14' 11"	22' 0"	S15"X42.9#*	5-1/2"	7' 7"	13' 1"	8"	16"	3,130	1T3521S
		39' 1"	35' 5"	6' 11"	11' 6"	8' 8"	13' 3"	S15"X42.9#*	5-1/2"	6' 2"	10' 2"	8"	21"	3,062	1T4012S
		39' 1"	35' 3"	9' 2"	14' 4"	10' 10"	16' 0"	S15"X42.9#*	5-1/2"	6' 2"	10' 2"	8"	21"	3,156	1T4015S
	40'	39' 1"	35' 2"	11' 0"	17' 5"	12' 8"	19' 2"	S15"X42.9#*	5-1/2"	7' 7"	13' 1"	8"	20"	3,267	1T4018S
		38' 11"	33' 5"	13' 5"	20' 5"	15' 0"	22' 1"	S15"X42.9#*	5-1/2"	7' 7"	13' 1"	8"	18"	3,460	1T4021S

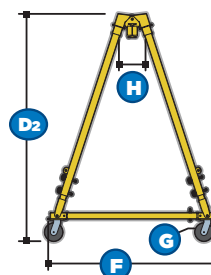
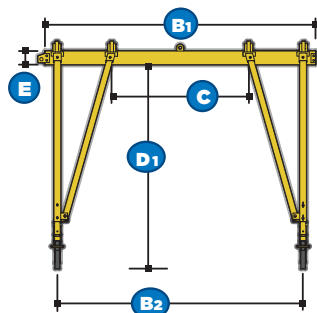
A CAPACITY	B1 OVERALL SPAN	B2 MAX. SPAN BETWEEN WHEEL CENTERS	C CLEAR SPAN	D1 HEIGHT UNDER BEAM		D2 OVERALL HEIGHT		E1 BEAM SIZE	E2 FLANGE WIDTH	F CASTER FRAME SPREAD		G WHEEL DIA.	H MAX. LEG CLEAR	NET WT (LBS.)	MODEL
				Min.	Max.	Min.	Max.			Min.	Max.				
2 TON	10'	9' 4"	5' 6"	6' 0"	9' 3"	7' 0"	10' 3"	S8"X18.4#	4"	4' 7"	7' 1"	8"	11"	981	2T109S
		9' 4"	5' 5"	7' 5"	12' 0"	8' 5"	13' 0"	S8"X18.4#	4"	6' 2"	10' 2"	8"	13"	1,208	2T1012S
		9' 4"	5' 4"	9' 7"	14' 9"	10' 7"	15' 9"	S8"X18.4#	4"	6' 2"	10' 2"	8"	11"	1,330	2T1015S
		9' 4"	5' 4"	11' 5"	17' 10"	12' 5"	18' 11"	S8"X18.4#	4"	7' 7"	13' 1"	8"	12"	1,545	2T1018S
	15'	9' 4"	5' 3"	13' 10"	20' 10"	14' 10"	21' 10"	S8"X18.4#	4"	7' 7"	13' 1"	8"	11"	1,758	2T1021S
		13' 11"	10' 2"	6' 0"	9' 3"	7' 2"	10' 5"	S10"X25.4#	4-5/8"	4' 7"	7' 1"	8"	13"	1,229	2T159S
		13' 11"	10' 0"	7' 4"	11' 11"	8' 7"	13' 2"	S10"X25.4#	4-5/8"	6' 2"	10' 2"	8"	15"	1,350	2T1512S
		13' 11"	9' 11"	9' 7"	14' 9"	10' 7"	15' 11"	S10"X25.4#	4-5/8"	6' 2"	10' 2"	8"	13"	1,571	2T1515S
	20'	13' 11"	9' 11"	11' 4"	17' 10"	12' 7"	19' 0"	S10"X25.4#	4-5/8"	7' 7"	13' 1"	8"	14"	1,790	2T1518S
		13' 11"	9' 10"	13' 9"	20' 10"	14' 11"	22' 0"	S10"X25.4#	4-5/8"	7' 7"	13' 1"	8"	13"	2,009	2T1521S
		19' 3"	15' 6"	7' 2"	11' 9"	8' 7"	13' 2"	S12"X31.8#	5"	6' 2"	10' 2"	8"	15"	1,703	2T2012S
		19' 3"	15' 4"	9' 5"	14' 6"	10' 9"	15' 11"	S12"X31.8#	5"	6' 2"	10' 2"	8"	13"	1,823	2T2015S
	25'	19' 3"	15' 4"	11' 2"	17' 8"	12' 7"	19' 0"	S12"X31.8#	5"	7' 7"	13' 1"	8"	14"	2,038	2T2018S
		19' 3"	15' 3"	13' 7"	20' 8"	14' 11"	22' 0"	S12"X31.8#	5"	7' 7"	13' 1"	8"	13"	2,260	2T2021S
		24' 1"	20' 5"	6' 11"	11' 6"	8' 7"	13' 2"	S15"X42.9#	5-1/2"	6' 2"	10' 2"	8"	21"	2,142	2T2512S
		24' 1"	20' 3"	9' 2"	14' 4"	10' 9"	15' 11"	S15"X42.9#	5-1/2"	6' 2"	10' 2"	8"	16"	2,264	2T2515S
	30'	24' 1"	20' 3"	10' 11"	17' 5"	12' 7"	19' 0"	S15"X42.9#	5-1/2"	7' 7"	13' 1"	8"	17"	2,480	2T2518S
		24' 1"	20' 1"	13' 4"	20' 5"	14' 11"	22' 0"	S15"X42.9#	5-1/2"	7' 7"	13' 1"	8"	16"	2,701	2T2521S
		29' 1"	25' 7"	6' 9"	11' 4"	8' 8"	13' 3"	S18"X54.7#	6"	6' 2"	10' 2"	8"	22"	2,757	2T3012S
		29' 1"	25' 4"	8' 11"	14' 1"	10' 10"	16' 0"	S18"X54.7#	6"	6' 2"	10' 2"	8"	19"	2,878	2T3015S
	35'	29' 1"	25' 3"	10' 9"	17' 2"	12' 8"	19' 2"	S18"X54.7#	6"	7' 7"	13' 1"	8"	20"	3,093	2T3018S
		28' 11"	23' 6"	13' 2"	20' 2"	15' 0"	22' 1"	S18"X54.7#	6"	7' 7"	13' 1"	8"	18"	3,320	2T3021S
		33' 5"	29' 11"	6' 9"	11' 4"	8' 8"	13' 3"	S18"X54.7#*	6"	6' 2"	10' 2"	8"	22"	3,368	2T3512S
		33' 5"	29' 8"	8' 11"	14' 1"	10' 10"	16' 0"	S18"X54.7#*	6"	6' 2"	10' 2"	8"	19"	3,490	2T3515S
	40'	33' 5"	29' 7"	10' 9"	17' 2"	12' 8"	19' 2"	S18"X54.7#*	6"	7' 7"	13' 1"	8"	20"	3,705	2T3518S
		33' 11"	28' 7"	13' 2"	20' 2"	15' 0"	22' 1"	S18"X54.7#*	6"	7' 7"	13' 1"	8"	18"	3,907	2T3521S
		39' 1"	35' 7"	6' 9"	11' 4"	8' 8"	13' 3"	S18"X54.7#*	6"	6' 2"	10' 2"	8"	23"	3,716	2T4012S
		39' 1"	35' 4"	8' 11"	14' 1"	10' 10"	16' 0"	S18"X54.7#*	6"	6' 2"	10' 2"	8"	20"	3,837	2T4015S
	40'	39' 1"	35' 3"	10' 9"	17' 2"	12' 8"	19' 2"	S18"X54.7#*	6"	7' 7"	13' 1"	8"	21"	4,052	2T4018S
		38' 11"	33' 6"	13' 2"	20' 2"	15' 0"	22' 1"	S18"X54.7#*	6"	7' 7"	13' 1"	8"	19"	4,256	2T4021S

* Capped Beam

A CAPACITY	B1 OVERALL SPAN	B2 MAX. SPAN BETWEEN WHEEL CENTERS	C CLEAR SPAN	D1 HEIGHT UNDER BEAM		D2 OVERALL HEIGHT		E1 BEAM SIZE	E2 FLANGE WIDTH	F CASTER FRAME SPREAD		G WHEEL DIA.	H MAX. LEG CLEAR	NET WT (LBS.)	MODEL
				Min.	Max.	Min.	Max.			Min.	Max.				
3 TON	10'	9' 1"	5' 0"	6' 1"	9' 4"	7' 3"	10' 7"	S10"X25.4#	4-5/8"	4' 7"	7' 1"	8"	13"	1,450	3T109S
		9' 1"	5' 0"	7' 5"	12' 0"	8' 8"	13' 3"	S10"X25.4#	4-5/8"	6' 2"	10' 2"	8"	15"	1,650	3T1012S
		9' 1"	4' 10"	9' 7"	14' 9"	10' 10"	16' 0"	S10"X25.4#	4-5/8"	6' 2"	10' 2"	8"	13"	1,825	3T1015S
		9' 1"	3' 2"	11' 5"	17' 10"	12' 8"	19' 2"	S10"X25.4#	4-5/8"	7' 7"	13' 1"	8"	14"	2,100	3T1018S
	15'	9' 1"	3' 1"	14' 3"	22' 4"	15' 7"	23' 7"	S10"X25.4#	4-5/8"	9' 7"	15' 1"	8"	14"	2,515	3T1023S
		14' 1"	10' 0"	6' 1"	9' 4"	7' 3"	10' 7"	S10"X25.4#	4-5/8"	4' 7"	7' 1"	8"	14"	1,570	3T159S
		14' 1"	9' 11"	7' 5"	12' 0"	8' 8"	13' 3"	S10"X25.4#	4-5/8"	6' 2"	10' 2"	8"	16"	1,765	3T1512S
		14' 1"	9' 10"	9' 7"	14' 9"	10' 10"	16' 0"	S10"X25.4#	4-5/8"	6' 2"	10' 2"	8"	14"	1,930	3T1515S
	20'	14' 1"	8' 2"	11' 5"	17' 10"	12' 8"	19' 2"	S10"X25.4#	4-5/8"	7' 7"	13' 1"	8"	15"	2,200	3T1518S
		14' 1"	8' 1"	14' 3"	22' 4"	15' 7"	23' 7"	S10"X25.4#	4-5/8"	9' 7"	15' 1"	8"	15"	2,650	3T1523S
		19' 1"	15' 2"	7' 0"	11' 7"	8' 8"	13' 3"	S15"X42.9#	5-1/2"	6' 2"	10' 2"	8"	18"	2,240	3T2012S
		19' 1"	15' 0"	9' 2"	14' 4"	10' 10"	16' 0"	S15"X42.9#	5-1/2"	6' 2"	10' 2"	8"	15"	2,415	3T2015S
	25'	19' 1"	13' 5"	11' 0"	17' 5"	12' 8"	19' 2"	S15"X42.9#	5-1/2"	7' 7"	13' 1"	8"	16"	2,684	3T2018S
		19' 1"	13' 3"	13' 10"	21' 11"	15' 6"	23' 7"	S15"X42.9#	5-1/2"	9' 7"	15' 1"	8"	16"	3,126	3T2023S
		24' 1"	20' 4"	6' 9"	11' 4"	8' 9"	13' 4"	S18"X54.7#	6"	6' 2"	10' 2"	8"	23"	2,800	3T2512S
		24' 1"	20' 1"	9' 0"	14' 2"	10' 11"	16' 1"	S18"X54.7#	6"	6' 2"	10' 2"	8"	20"	2,958	3T2515S
	30'	24' 1"	18' 6"	10' 10"	17' 3"	12' 9"	19' 3"	S18"X54.7#	6"	7' 7"	13' 1"	8"	21"	3,228	3T2518S
		24' 1"	18' 4"	13' 8"	21' 9"	15' 7"	23' 8"	S18"X54.7#	6"	9' 7"	15' 1"	8"	21"	3,670	3T2523S
		29' 1"	25' 4"	6' 9"	11' 4"	8' 9"	13' 4"	S18"X54.7#*	6"	6' 2"	10' 2"	8"	24"	3,321	3T3012S
		29' 1"	25' 1"	9' 0"	14' 2"	10' 11"	16' 1"	S18"X54.7#*	6"	6' 2"	10' 2"	8"	21"	3,490	3T3015S
	35'	29' 1"	23' 6"	10' 10"	17' 3"	12' 9"	19' 3"	S18"X54.7#*	6"	7' 7"	13' 1"	8"	22"	3,727	3T3018S
		29' 1"	23' 4"	13' 8"	21' 9"	15' 7"	23' 8"	S18"X54.7#*	6"	9' 7"	15' 1"	8"	22"	4,170	3T3023S
		34' 1"	30' 4"	6' 9"	11' 4"	8' 9"	13' 4"	S18"X54.7#*	6"	6' 2"	10' 2"	8"	24"	3,675	3T3512S
		34' 1"	30' 1"	9' 0"	14' 2"	10' 11"	16' 1"	S18"X54.7#*	6"	6' 2"	10' 2"	8"	21"	3,840	3T3515S
	40'	34' 1"	28' 6"	10' 10"	17' 3"	12' 9"	19' 3"	S18"X54.7#*	6"	7' 7"	13' 1"	8"	22"	4,086	3T3518S
		34' 1"	28' 4"	13' 8"	21' 9"	15' 7"	23' 8"	S18"X54.7#*	6"	9' 7"	15' 1"	8"	22"	4,529	3T3523S
		39' 1"	35' 4"	6' 9"	11' 4"	8' 9"	13' 4"	S18"X54.7#*	6"	6' 2"	10' 2"	8"	24"	4,167	3T4012S
		39' 1"	35' 1"	9' 0"	14' 2"	10' 11"	16' 1"	S18"X54.7#*	6"	6' 2"	10' 2"	8"	21"	4,350	3T4015S
40'	39' 1"	33' 6"	10' 10"	17' 3"	12' 9"	19' 3"	S18"X54.7#*	6"	7' 7"	13' 1"	8"	22"	4,567	3T4018S	
	39' 1"	33' 4"	13' 8"	21' 9"	15' 7"	23' 8"	S18"X54.7#*	6"	9' 7"	15' 1"	8"	22"	5,001	3T4023S	

A CAPACITY	B1 OVERALL SPAN	B2 MAX. SPAN BETWEEN WHEEL CENTERS	C CLEAR SPAN	D1 HEIGHT UNDER BEAM		D2 OVERALL HEIGHT		E1 BEAM SIZE	E2 FLANGE WIDTH	F CASTER FRAME SPREAD		G WHEEL DIA.	H MAX. LEG CLEAR	NET WT (LBS.)	MODEL
				Min.	Max.	Min.	Max.			Min.	Max.				
5 TON	10'	9' 1"	5' 0"	6' 1"	9' 4"	7' 4"	10' 7"	S10"X25.4#	4-5/8"	4' 7"	7' 1"	8"	14"	1,491	5T109S
		9' 1"	4' 9"	9' 8"	14' 10"	10' 11"	16' 1"	S10"X25.4#	4-5/8"	6' 2"	10' 2"	8"	14"	2,051	5T1015S
		9' 1"	3' 2"	11' 6"	17' 11"	12' 9"	19' 3"	S10"X25.4#	4-5/8"	7' 7"	13' 1"	8"	15"	2,386	5T1018S
		9' 1"	3' 1"	14' 4"	22' 5"	15' 7"	23' 8"	S10"X25.4#	4-5/8"	9' 7"	15' 1"	8"	15"	2,933	5T1023S
	15'	13' 7"	9' 10"	5' 8"	8' 11"	7' 4"	10' 7"	S15"X42.9#	5-1/2"	4' 7"	7' 1"	8"	15"	1,891	5T159S
		14' 1"	9' 11"	9' 3"	14' 5"	10' 11"	16' 1"	S15"X42.9#	5-1/2"	6' 2"	10' 2"	8"	15"	2,451	5T1515S
		14' 1"	8' 4"	11' 1"	17' 6"	12' 9"	19' 3"	S15"X42.9#	5-1/2"	7' 7"	13' 1"	8"	16"	2,785	5T1518S
		14' 1"	8' 3"	13' 11"	22' 0"	15' 7"	23' 8"	S15"X42.9#	5-1/2"	9' 7"	15' 1"	8"	16"	3,328	5T1523S
	20'	19' 1"	15' 6"	5' 5"	8' 8"	7' 4"	10' 7"	S18"X54.7#	6"	4' 7"	7' 1"	8"	17"	2,360	5T209S
		19' 1"	15' 1"	9' 0"	14' 2"	10' 11"	16' 1"	S18"X54.7#	6"	6' 2"	10' 2"	8"	17"	2,920	5T2015S
		19' 1"	13' 6"	10' 10"	17' 3"	12' 9"	19' 3"	S18"X54.7#	6"	7' 7"	13' 1"	8"	18"	3,255	5T2018S
		19' 1"	13' 4"	13' 8"	21' 9"	15' 7"	23' 8"	S18"X54.7#	6"	9' 7"	15' 1"	8"	18"	3,797	5T2023S
	25'	24' 1"	20' 0"	9' 1"	14' 2"	11' 1"	16' 2"	S18"X54.7#*	6"	6' 2"	10' 2"	8"	20"	3,044	5T2515S
		24' 1"	18' 6"	10' 10"	17' 4"	12' 9"	19' 3"	S18"X54.7#*	6"	7' 7"	13' 1"	8"	21"	3,755	5T2518S
		24' 1"	18' 4"	13' 9"	21' 9"	15' 8"	23' 9"	S18"X54.7#*	6"	9' 7"	15' 1"	8"	21"	4,297	5T2523S
		29' 1"	25' 0"	9' 1"	14' 2"	11' 1"	16' 2"	S18"X54.7#*	6"	6' 2"	10' 2"	8"	21"	3,326	5T3015S
	30'	29' 1"	23' 6"	10' 10"	17' 4"	12' 9"	19' 3"	S18"X54.7#*	6"	7' 7"	13' 1"	8"	22"	4,094	5T3018S
		29' 1"	23' 4"	13' 9"	21' 9"	15' 8"	23' 9"	S18"X54.7#*	6"	9' 7"	15' 1"	8"	22"	4,637	5T3023S
		34' 1"	30' 0"	9' 1"	14' 2"	11' 1"	16' 2"	S18"X54.7#*	6"	6' 2"	10' 2"	8"	21"	4,019	5T3515S
		34' 1"	28' 6"	10' 10"	17' 4"	12' 9"	19' 3"	S18"X54.7#*	6"	7' 7"	13' 1"	8"	22"	4,560	5T3518S
	35'	34' 1"	28' 4"	13' 9"	21' 9"	15' 8"	23' 9"	S18"X54.7#*	6"	9' 7"	15' 1"	8"	22"	5,102	5T3523S
		39' 1"	35' 3"	8' 6"	13' 8"	11' 1"	16' 2"	S24"X80#*	7"	6' 2"	10' 2"	8"	23"	5,400	5T4015S
		39' 1"	33' 9"	10' 4"	16' 9"	12' 9"	19' 3"	S24"X80#*	7"	7' 7"	13' 1"	8"	25"	5,850	5T4018S
		39' 1"	33' 7"	13' 2"	21' 3"	15' 8"	23' 9"	S24"X80#*	7"	9' 7"	15' 1"	8"	24"	6,450	5T4023S

* Capped Beam



SPANCO GANTRY CRANES

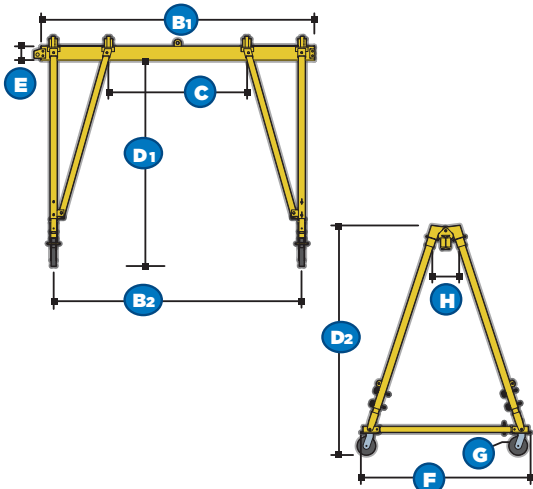
T-SERIES All-Steel Construction (continued)



A CAPACITY	B1 OVERALL SPAN	B2 MAX. SPAN BETWEEN WHEEL CENTERS	C CLEAR SPAN	D1 HEIGHT UNDER BEAM		D2 OVERALL HEIGHT		E1 BEAM SIZE	E2 FLANGE WIDTH	F CASTER FRAME SPREAD		G WHEEL DIA.	H MAX. LEG CLEAR	NET WT (LBS.)	MODEL
				Min.	Max.	Min.	Max.			Min.	Max.				
8 TON	15'	13' 10"	9' 8"	9' 7"	14' 9"	11' 6"	16' 8"	S18"X54.7#	6"	6' 3"	10' 4"	12"	18"	4,265	8T1515S
		14' 1"	8' 4"	11' 5"	17' 10"	13' 4"	19' 10"	S18"X54.7#	6"	7' 8"	13' 3"	12"	19"	4,790	8T1518S
		14' 1"	8' 2"	14' 3"	22' 3"	16' 2"	24' 3"	S18"X54.7#	6"	9' 8"	15' 3"	12"	18"	5,775	8T1523S
	20'	19' 1"	14' 11"	9' 7"	14' 9"	11' 6"	16' 8"	S18"X54.7#*	6"	6' 3"	10' 4"	12"	20"	4,355	8T2015S
		18' 7"	12' 10"	11' 5"	17' 10"	13' 4"	19' 10"	S18"X54.7#*	6"	7' 8"	13' 3"	12"	21"	4,785	8T2018S
		18' 7"	12' 8"	14' 3"	22' 3"	16' 2"	24' 3"	S18"X54.7#*	6"	9' 8"	15' 3"	12"	21"	5,842	8T2023S
	25'	24' 1"	19' 11"	9' 7"	14' 9"	11' 6"	16' 8"	S18"X54.7#*	6"	6' 3"	10' 4"	12"	21"	4,550	8T2515S
		24' 1"	18' 4"	11' 5"	17' 10"	13' 4"	19' 10"	S18"X54.7#*	6"	7' 8"	13' 3"	12"	22"	5,204	8T2518S
		24' 1"	18' 2"	14' 3"	22' 3"	16' 2"	24' 3"	S18"X54.7#*	6"	9' 8"	15' 3"	12"	22"	6,190	8T2523S
	30'	29' 1"	25' 1"	9' 1"	14' 3"	11' 6"	16' 8"	S24"X80#*	7"	6' 3"	10' 4"	12"	21"	5,831	8T3015S
		29' 1"	23' 7"	10' 10"	17' 4"	13' 4"	19' 10"	S24"X80#*	7"	7' 8"	13' 3"	12"	22"	6,350	8T3018S
		29' 1"	23' 5"	13' 8"	21' 9"	16' 2"	24' 3"	S24"X80#*	7"	9' 8"	15' 3"	12"	22"	7,322	8T3023S
	35'	34' 1"	30' 1"	9' 1"	14' 3"	11' 6"	16' 8"	S24"X80#*	7"	6' 3"	10' 4"	12"	23"	6,592	8T3515S
		34' 1"	28' 7"	10' 10"	17' 4"	13' 4"	19' 10"	S24"X80#*	7"	7' 8"	13' 3"	12"	25"	7,136	8T3518S
		34' 1"	28' 5"	13' 8"	21' 9"	16' 2"	24' 3"	S24"X80#*	7"	9' 8"	15' 3"	12"	24"	8,121	8T3523S
	40'	39' 1"	35' 1"	9' 1"	14' 3"	11' 6"	16' 8"	S24"X80#*	7"	6' 3"	10' 4"	12"	23"	6,959	8T4015S
		39' 1"	33' 7"	10' 10"	17' 4"	13' 4"	19' 10"	S24"X80#*	7"	7' 8"	13' 3"	12"	25"	7,453	8T4018S
			39' 1"	33' 5"	13' 8"	21' 9"	16' 2"	24' 3"	S24"X80#*	7"	9' 8"	15' 3"	12"	24"	8,450

A CAPACITY	B1 OVERALL SPAN	B2 MAX. SPAN BETWEEN WHEEL CENTERS	C CLEAR SPAN	D1 HEIGHT UNDER BEAM		D2 OVERALL HEIGHT		E1 BEAM SIZE	E2 FLANGE WIDTH	F CASTER FRAME SPREAD		G WHEEL DIA.	H MAX. LEG CLEAR	NET WT (LBS.)	MODEL
				Min.	Max.	Min.	Max.			Min.	Max.				
10 TON	15'	14' 1"	9' 11"	9' 7"	14' 9"	11' 6"	16' 8"	S18"X54.7#	6"	6' 3"	10' 4"	12"	20"	4,350	10T1515S
		14' 1"	8' 4"	11' 5"	17' 10"	13' 4"	19' 10"	S18"X54.7#	6"	7' 8"	13' 3"	12"	21"	4,831	10T1518S
		14' 1"	8' 2"	14' 3"	22' 3"	16' 2"	24' 3"	S18"X54.7#	6"	9' 8"	15' 3"	12"	21"	5,816	10T1523S
	20'	19' 1"	15' 1"	9' 1"	14' 3"	11' 6"	16' 8"	S24"X80#	7"	6' 3"	10' 4"	12"	21"	5,118	10T2015S
		19' 1"	13' 7"	10' 10"	17' 4"	13' 4"	19' 10"	S24"X80#	7"	7' 8"	13' 3"	12"	22"	5,645	10T2018S
		19' 1"	13' 5"	13' 8"	21' 9"	16' 2"	24' 3"	S24"X80#	7"	9' 8"	15' 3"	12"	22"	6,630	10T2023S
	25'	24' 1"	20' 1"	9' 1"	14' 3"	11' 6"	16' 8"	S24"X80#*	7"	6' 3"	10' 4"	12"	23"	5,694	10T2515S
		24' 1"	18' 7"	10' 10"	17' 4"	13' 4"	19' 10"	S24"X80#*	7"	7' 8"	13' 3"	12"	25"	6,193	10T2518S
		24' 1"	18' 5"	13' 8"	21' 9"	16' 2"	24' 3"	S24"X80#*	7"	9' 8"	15' 3"	12"	24"	7,175	10T2523S
	30'	29' 1"	25' 1"	9' 1"	14' 3"	11' 6"	16' 8"	S24"X80#*	7"	6' 3"	10' 4"	12"	23"	5,878	10T3015S
		29' 1"	23' 7"	10' 10"	17' 4"	13' 4"	19' 10"	S24"X80#*	7"	7' 8"	13' 3"	12"	25"	6,480	10T3018S
		29' 1"	23' 5"	13' 8"	21' 9"	16' 2"	24' 3"	S24"X80#*	7"	9' 8"	15' 3"	12"	24"	7,365	10T3023S
	35'	34' 1"	30' 1"	9' 1"	14' 3"	11' 6"	16' 8"	S24"X80#*	7"	6' 3"	10' 4"	12"	23"	6,650	10T3515S
		34' 1"	28' 7"	10' 10"	17' 4"	13' 4"	19' 10"	S24"X80#*	7"	7' 8"	13' 3"	12"	25"	7,136	10T3518S
		34' 1"	28' 5"	13' 8"	21' 9"	16' 2"	24' 3"	S24"X80#*	7"	9' 8"	15' 3"	12"	24"	8,121	10T3523S
	40'	39' 1"	35' 1"	9' 1"	14' 3"	11' 6"	16' 8"	S24"X80#*	7"	6' 3"	10' 4"	12"	23"	7,603	10T4015S
		39' 1"	33' 7"	10' 10"	17' 4"	13' 4"	19' 10"	S24"X80#*	7"	7' 8"	13' 3"	12"	25"	8,062	10T4018S
			39' 1"	33' 5"	13' 8"	21' 9"	16' 2"	24' 3"	S24"X80#*	7"	9' 8"	15' 3"	12"	24"	9,037

* Capped Beam



T-SERIES Handy Cart Kits

DESCRIPTION	NET WT. (LBS.)	KIT NUMBER
1-2 Ton Models	46	TCK 1-2
3-5 Ton Models	55	TCK 3-5
8-10 Ton Models	94	TCK 8-10



T-SERIES

Steel with Aluminum I-Beam



A CAPACITY	B1 OVERALL SPAN	B2 MAX. SPAN BETWEEN WHEEL CENTERS	C CLEAR SPAN	D1 HEIGHT UNDER BEAM		D2 OVERALL HEIGHT		E1 BEAM SIZE	E2 FLANGE WIDTH	F CASTER FRAME SPREAD		G WHEEL DIA.	H MAX. LEG CLEAR	NET WT (LBS.)	MODEL
				Min.	Max.	Min.	Max.			Min.	Max.				
1 TON	10'	9' 1"	5' 2"	6' 2"	9' 6"	7' 0"	10' 4"	ALU6X4.3#	3-3/8"	4' 7"	7' 1"	8"	10"	808	1T109SA
		9' 1"	5' 2"	7' 4"	11' 11"	8' 5"	13' 0"	ALU8X6.35#	4"	6' 2"	10' 2"	8"	13"	935	1T1012SA
		9' 1"	5' 1"	9' 7"	14' 9"	10' 7"	15' 9"	ALU8X6.35#	4"	6' 2"	10' 2"	8"	11"	1028	1T1015SA
		9' 1"	5' 0"	11' 5"	17' 10"	12' 5"	18' 11"	ALU8X6.35#	4"	7' 7"	13' 1"	8"	12"	1239	1T1018SA
		9' 1"	5' 0"	14' 0"	21' 10"	14' 10"	21' 10"	ALU8X6.35#	4"	7' 7"	13' 1"	8"	11"	1343	1T1021SA
	15'	14' 1"	10' 4"	5' 10"	9' 1"	7' 0"	10' 4"	ALU10X8.76#	4-5/8"	4' 7"	7' 1"	8"	13"	865	1T159SA
		14' 1"	10' 3"	7' 3"	11' 9"	8' 5"	13' 0"	ALU10X8.76#	4-5/8"	6' 2"	10' 2"	8"	15"	965	1T1512SA
		14' 1"	10' 2"	9' 5"	14' 7"	10' 7"	15' 9"	ALU10X8.76#	4-5/8"	6' 2"	10' 2"	8"	13"	1059	1T1515SA
		14' 1"	10' 1"	11' 3"	17' 9"	12' 5"	18' 11"	ALU10X8.76#	4-5/8"	7' 7"	13' 1"	8"	14"	1272	1T1518SA
		14' 1"	10' 1"	13' 6"	20' 6"	14' 10"	21' 10"	ALU12X10.90#	5"	7' 7"	13' 1"	8"	14"	1375	1T1521SA

A CAPACITY	B1 OVERALL SPAN	B2 MAX. SPAN BETWEEN WHEEL CENTERS	C CLEAR SPAN	D1 HEIGHT UNDER BEAM		D2 OVERALL HEIGHT		E1 BEAM SIZE	E2 FLANGE WIDTH	F CASTER FRAME SPREAD		G WHEEL DIA.	H MAX. LEG CLEAR	NET WT (LBS.)	MODEL
				Min.	Max.	Min.	Max.			Min.	Max.				
2 TON	10'	9' 4"	5' 7"	5' 10"	9' 1"	6' 8"	9' 11"	ALU10X8.76#	4-5/8"	4' 7"	7' 1"	8"	13"	885	2T109SA
		9' 4"	5' 6"	7' 3"	11' 10"	8' 1"	12' 8"	ALU10X8.76#	4-5/8"	6' 2"	10' 2"	8"	14"	1,112	2T1012SA
		9' 4"	5' 5"	9' 5"	14' 7"	10' 3"	15' 5"	ALU10X8.76#	4-5/8"	6' 2"	10' 2"	8"	12"	1,234	2T1015SA
		9' 4"	5' 4"	11' 3"	17' 8"	12' 1"	18' 6"	ALU10X8.76#	4-5/8"	7' 7"	13' 1"	8"	13"	1,449	2T1018SA
		9' 4"	5' 3"	13' 8"	20' 8"	14' 6"	21' 6"	ALU10X8.76#	4-5/8"	7' 7"	13' 1"	8"	13"	1,662	2T1021SA
	15'	13' 11"	10' 3"	5' 10"	9' 1"	7' 2"	10' 5"	ALU12X10.90#	5"	4' 7"	7' 1"	8"	14"	1,008	2T159SA
		13' 11"	10' 2"	7' 2"	11' 9"	8' 7"	13' 2"	ALU12X10.90#	5"	6' 2"	10' 2"	8"	17"	1,133	2T1512SA
		13' 11"	10' 0"	9' 5"	14' 7"	10' 9"	15' 11"	ALU12X10.90#	5"	6' 2"	10' 2"	8"	14"	1,244	2T1515SA
		13' 11"	10' 0"	11' 2"	17' 8"	12' 7"	19' 0"	ALU12X10.90#	5"	7' 7"	13' 1"	8"	15"	1,354	2T1518SA
		13' 11"	9' 11"	13' 7"	20' 8"	14' 11"	22' 0"	ALU12X10.90#	5"	7' 7"	13' 1"	8"	14"	1,792	2T1521SA

A CAPACITY	B1 OVERALL SPAN	B2 MAX. SPAN BETWEEN WHEEL CENTERS	C CLEAR SPAN	D1 HEIGHT UNDER BEAM		D2 OVERALL HEIGHT		E1 BEAM SIZE	E2 FLANGE WIDTH	F CASTER FRAME SPREAD		G WHEEL DIA.	H MAX. LEG CLEAR	NET WT (LBS.)	MODEL
				Min.	Max.	Min.	Max.			Min.	Max.				
3 TON	10'	9' 1"	5' 0"	6' 0"	9' 4"	7' 3"	10' 7"	ALU10X8.76#	4-5/8"	4' 7"	7' 1"	8"	14"	1,284	3T109SA
		9' 1"	4' 11"	7' 5"	12' 0"	8' 8"	13' 3"	ALU10X8.76#	4-5/8"	6' 2"	10' 2"	8"	16"	1,484	3T1012SA
		9' 1"	4' 11"	9' 5"	14' 7"	10' 10"	16' 0"	ALU12X10.99#	5"	6' 2"	10' 2"	8"	15"	1,617	3T1015SA
		9' 1"	3' 3"	11' 3"	17' 8"	12' 8"	19' 2"	ALU12X10.99#	5"	7' 7"	13' 1"	8"	16"	1,842	3T1018SA
		14' 1"	10' 1"	5' 11"	9' 2"	7' 3"	10' 7"	ALU12X10.90#	5"	4' 7"	7' 1"	8"	15"	1,418	3T159SA
	15'	14' 1"	10' 0"	7' 3"	11' 10"	8' 8"	13' 3"	ALU12X10.90#	5"	6' 2"	10' 2"	8"	18"	1,615	3T1512SA
		14' 1"	9' 11"	9' 5"	14' 7"	10' 10"	16' 0"	ALU12X10.90#	5"	6' 2"	10' 2"	8"	15"	1,778	3T1515SA
		13' 10"	8' 3"	11' 3"	17' 8"	12' 8"	19' 2"	ALU12X10.90#	5"	7' 7"	13' 1"	8"	16"	2,050	3T1518SA

T-SERIES

Detachable Height Kits

NOTE: The height in your model number determines which kit is required for your 2, 3, and 5-ton capacity detachable height adjustment kits.



KIT NUMBER	DESCRIPTION	NET WT. (LBS.)
THA-1T	For 1-Ton Cranes	94
THA-2T(10-15)9S	For 2-Ton Cranes with Max. 9-foot Height Under Beam	94
THA-2T(10-40)12S	For 2-Ton Cranes with Max. 12-foot Height Under Beam	94
THA-2T(10-40)(15-18)S	For 2-Ton Cranes with Max. 15 to 18-foot Height Under Beam	94
THA-2T(10-40)21S	For 2-Ton Cranes with Max. 21-foot Height Under Beam	94
THA-3T(10-40)(9-12)S	For 3-Ton Cranes with Max. 9 to 12-foot Height Under Beam	94
THA-3T(10-40)(15-23)S	For 3-Ton Cranes with Max. 15 to 23-foot Height Under Beam	94
THA-5T(10-20)9S	For 5-Ton Cranes with Max. 9-foot Height Under Beam	94
THA-5T(10-40)(15-23)S	For 5-Ton Cranes with Max. 15 to 23-foot Height Under Beam	94
THA-8-10	For 8 and 10-Ton Cranes	97

GANTRY CRANES A-SERIES

STURDY WITH ADJUSTABLE HEIGHTS

Spanco® A-Series All-Steel Gantry Cranes

are portable, lightweight, low-cost lifting solutions with sturdy "A"-frame designs.

Spanco A-Series Gantry Cranes also have greater clear spans because they don't require four brace legs. You can independently adjust the length of the gantry legs to meet ever-changing lift requirements. Aluminum construction with adjustable span is also available.



Crane Height Adjustments: Adjust in six-inch increments using spring-loaded steel locking pins that automatically engage when height positioning holes are reached. Adjust heights for specific lifting tasks, uneven floors, or to move your gantry through doorways.

Adjustable Spans: Standard on aluminum cranes, optional on steel cranes. Allows gantry to be shortened for transport down narrow aisles.

Heavy-Duty Casters: Four-position, swivel-lock casters with moldon polyurethane wheels for excellent floor protection.

Aluminum Gantry Cranes: Weigh as little as 120 pounds, making them ideal for fast crane relocation. See page 21 for more information about our Spanco Aluminum Gantry Cranes.



Spanco 5-ton A-Series Gantry Crane lifting engines from military vehicles for maintenance.



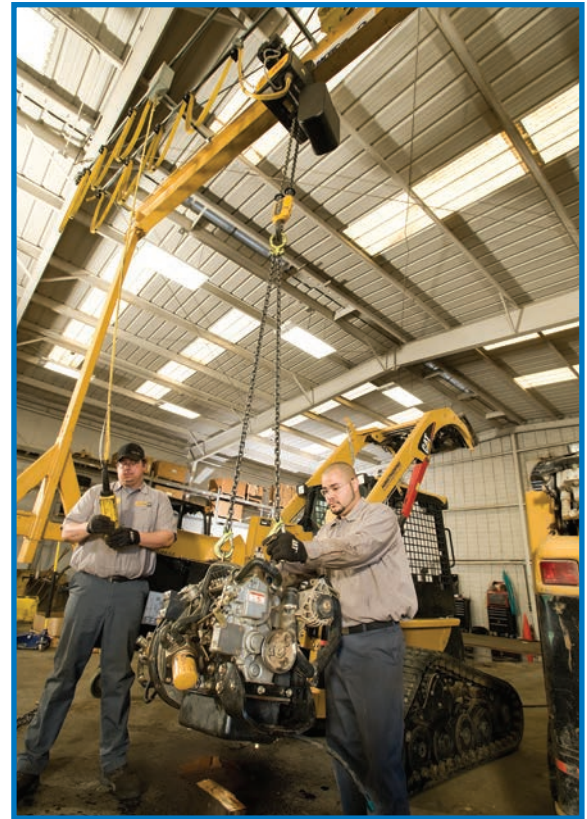
SPANCO A-SERIES GANTRY CRANES

A-Series	Capacities*	Heights Under I-Beam*	Span Lengths*
Steel with Adjustable Span	Up to 10 tons	Up to 16'	Up to 40'
Steel with Fixed Span			
Aluminum with Adjustable Span	Up to 3 tons	Up to 12'	Up to 15'

*The maximum capacities and dimensions listed above vary depending on the combination of the span, capacity, and HUB selected for the system. Larger spans and heights may be available.

OPTIONS FOR A-SERIES GANTRY CRANES

- Adjustable-Span Kits:** Convert your steel fixed-span gantry to an adjustable-span gantry. DIY installation requires no drilling of the I-beam.
- Height Adjustment Winch-Hoist Kits:** Includes two Lug-All® cable winch-hoists to quickly and easily change I-beam height. **NOTE:** Only for use with Spanco A-Series, including the All-Aluminum models. Use height adjustment kits under no-load conditions.



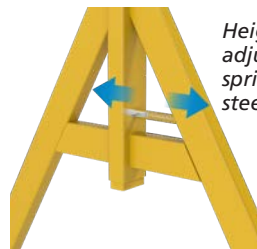
A-Series Gantry Crane lifting an engine from a small loader.

Caster Options:

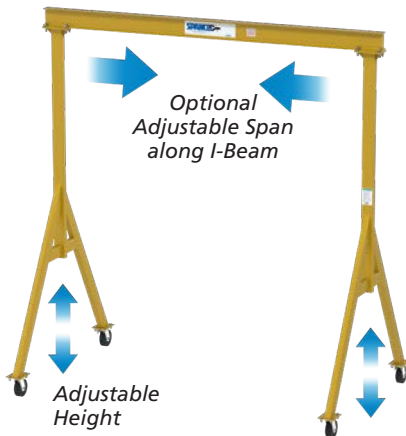
- Wheel brakes on polyurethane casters
- Steel V-groove casters with rigid body for use on V-groove tracks
- Nylacron™ wheels available for easier movement on higher-capacity gantry cranes.



Steel V-groove casters for use with V-groove track



Height adjustment via spring-loaded steel locking pin

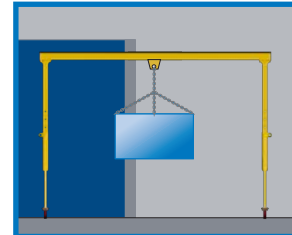


Optional Adjustable Span along I-Beam

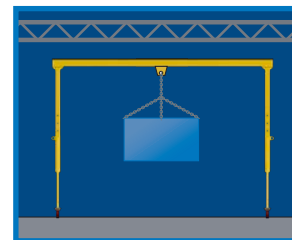
Adjustable Height



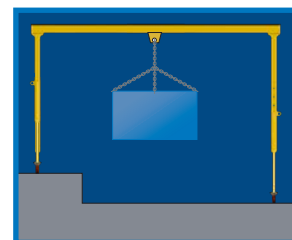
Optional height adjustment with Lug-All® winches



Adjust the height of a Spanco A-Series Gantry Crane to move through doorways



Adjust the height of a Spanco A-Series Gantry Crane to move under mezzanines



Independent height adjustment allows movement along floors with different elevations

SPANCO GANTRY CRANES

A-Series Steel, Adjustable Height



A CAPACITY	B1 OVERALL SPAN	B2 MAX. SPAN BETWEEN WHEEL CENTERS	C CLEAR SPAN	D1 HEIGHT UNDER BEAM		D2 OVERALL HEIGHT		E1 BEAM SIZE	E2 FLANGE WIDTH	F TREAD	G CASTER DIA.	NET WT. (LBS.)	MODEL
				Min.	Max.	Min.	Max.						
1 TON	8'	7' 3"	6' 11"	7' 2"	10' 2"	7' 8"	10' 8"	S6"X12.5#	3-3/8"	5' 5"	6"	404	1A0810
		7' 3"	6' 11"	9' 8"	12' 8"	10' 2"	13' 2"	S6"X12.5#	3-3/8"	5' 5"	6"	428	1A0812
		7' 3"	6' 10"	12' 0"	15' 6"	12' 6"	16' 0"	S6"X12.5#	3-3/8"	6' 6"	8"	694	1A0815
	10'	9' 3"	8' 11"	7' 2"	10' 2"	7' 8"	10' 8"	S6"X12.5#	3-3/8"	5' 5"	6"	429	1A1010
		9' 3"	8' 11"	9' 8"	12' 8"	10' 2"	13' 2"	S6"X12.5#	3-3/8"	5' 5"	6"	453	1A1012
		9' 3"	8' 10"	12' 0"	15' 6"	12' 6"	16' 0"	S6"X12.5#	3-3/8"	6' 6"	8"	719	1A1015
	12'	11' 3"	10' 11"	7' 2"	10' 2"	7' 8"	10' 8"	S6"X12.5#	3-3/8"	5' 5"	6"	454	1A1210
		11' 3"	10' 11"	9' 8"	12' 8"	10' 2"	13' 2"	S6"X12.5#	3-3/8"	5' 5"	6"	478	1A1212
		11' 3"	10' 10"	12' 0"	15' 6"	12' 6"	16' 0"	S6"X12.5#	3-3/8"	6' 6"	8"	744	1A1215
	15'	14' 3"	13' 11"	7' 2"	10' 2"	7' 10"	10' 10"	S8"X18.4#	4"	5' 5"	6"	533	1A1510
		14' 3"	13' 11"	9' 8"	12' 8"	10' 4"	13' 4"	S8"X18.4#	4"	5' 5"	6"	557	1A1512
		14' 3"	13' 10"	12' 0"	15' 6"	12' 8"	16' 2"	S8"X18.4#	4"	6' 6"	8"	823	1A1515
	20'	19' 3"	18' 11"	7' 2"	10' 2"	8' 1"	11' 1"	W10"X30#	5-3/4"	5' 5"	6"	904	1A2010-W
		19' 3"	18' 11"	9' 8"	12' 8"	10' 7"	13' 7"	W10"X30#	5-3/4"	5' 5"	6"	928	1A2012-W
		19' 3"	18' 10"	12' 0"	15' 6"	12' 11"	16' 5"	W10"X30#	5-3/4"	6' 6"	8"	1,194	1A2015-W
	25'	24' 3"	23' 11"	7' 2"	10' 2"	8' 1"	11' 1"	W10"X30#	5-3/4"	5' 5"	6"	1,054	1A2510-W
		24' 3"	23' 11"	9' 8"	12' 8"	10' 7"	13' 7"	W10"X30#	5-3/4"	5' 5"	6"	1,204	1A2512-W
		24' 3"	23' 10"	12' 0"	15' 6"	12' 11"	16' 5"	W10"X30#	5-3/4"	6' 6"	8"	1,344	1A2515-W
30'	29' 1"	28' 10"	9' 0"	12' 6"	9' 11"	13' 5"	W10"X30#	5-3/4"	6' 6"	8"	1,435	1A3012-W	
	29' 1"	28' 10"	12' 0"	15' 6"	12' 11"	16' 5"	W10"X30#	5-3/4"	6' 6"	8"	1,495	1A3015-W	
35'	34' 1"	33' 8"	9' 0"	12' 6"	10' 5"	13' 11"	W16"X50#	7-1/8"	6' 6"	8"	2,285	1A3512-W	
	34' 1"	33' 8"	12' 0"	15' 6"	13' 5"	16' 11"	W16"X50#	7-1/8"	6' 6"	8"	2,344	1A3515-W	
40'	39' 1"	38' 8"	9' 0"	12' 6"	10' 5"	14' 0"	W16"X50#	7-1/8"	6' 6"	8"	2,535	1A4012-W	
	39' 1"	38' 8"	12' 0"	15' 6"	13' 5"	17' 0"	W16"X50#	7-1/8"	6' 6"	8"	2,594	1A4015-W	

A CAPACITY	B1 OVERALL SPAN	B2 MAX. SPAN BETWEEN WHEEL CENTERS	C CLEAR SPAN	D1 HEIGHT UNDER BEAM		D2 OVERALL HEIGHT		E1 BEAM SIZE	E2 FLANGE WIDTH	F TREAD	G CASTER DIA.	NET WT. (LBS.)	MODEL
				Min.	Max.	Min.	Max.						
2 TON	10'	9' 3"	8' 10"	9' 0"	12' 6"	9' 8"	13' 2"	S8"X18.4#	4"	6' 6"	8"	719	2A1012
		9' 3"	8' 10"	12' 0"	15' 6"	12' 8"	16' 2"	S8"X18.4#	4"	6' 6"	8"	778	2A1015
	15'	14' 3"	13' 10"	9' 0"	12' 6"	9' 10"	13' 4"	S10"X25.4#	4-5/8"	6' 6"	8"	916	2A1512
		14' 3"	13' 10"	12' 0"	15' 6"	12' 10"	16' 4"	S10"X25.4#	4-5/8"	6' 6"	8"	975	2A1515
	20'	19' 3"	18' 10"	9' 0"	12' 6"	10' 1"	13' 7"	W12"X35#	6-1/2"	6' 6"	8"	1,235	2A2012-W
		19' 3"	18' 10"	12' 0"	15' 6"	13' 1"	16' 7"	W12"X35#	6-1/2"	6' 6"	8"	1,294	2A2015-W
	25'	24' 3"	23' 10"	9' 0"	12' 6"	10' 1"	13' 7"	W12"X35#	6-1/2"	6' 6"	8"	1,410	2A2512-W
		24' 3"	23' 10"	12' 0"	15' 6"	13' 1"	16' 7"	W12"X35#	6-1/2"	6' 6"	8"	1,469	2A2515-W
	30'	29' 1"	28' 8"	9' 0"	12' 6"	10' 5"	13' 11"	W16"X50#	7-1/8"	6' 6"	8"	2,035	2A3012-W
		29' 1"	28' 8"	12' 0"	15' 6"	13' 5"	16' 11"	W16"X50#	7-1/8"	6' 6"	8"	2,095	2A3015-W
	35'	34' 1"	33' 7"	9' 0"	12' 6"	10' 7"	14' 1"	W18"X55#	7-1/2"	6' 6"	8"	2,460	2A3512-W
		34' 1"	33' 7"	12' 0"	15' 6"	13' 7"	17' 1"	W18"X55#	7-1/2"	6' 6"	8"	2,519	2A3515-W
40'	39' 1"	38' 7"	9' 0"	12' 6"	10' 5"	13' 11"	W16"X50#*	7-1/8"	6' 6"	8"	3,470	2A4012-W	
	39' 1"	38' 7"	12' 0"	15' 6"	13' 5"	16' 11"	W16"X50#*	7-1/8"	6' 6"	8"	3,529	2A4015-W	

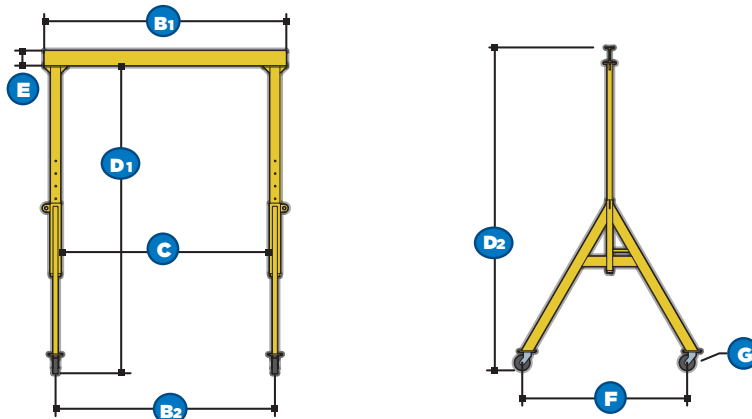
A CAPACITY	B1 OVERALL SPAN	B2 MAX. SPAN BETWEEN WHEEL CENTERS	C CLEAR SPAN	D1 HEIGHT UNDER BEAM		D2 OVERALL HEIGHT		E1 BEAM SIZE	E2 FLANGE WIDTH	F TREAD	G CASTER DIA.	NET WT. (LBS.)	MODEL
				Min.	Max.	Min.	Max.						
3 TON	10'	9' 1"	8' 6"	9' 4"	12' 10"	10' 2"	13' 8"	S10"X25.4#	4-5/8"	6' 6"	8"	793	3A1012
		9' 1"	8' 6"	12' 4"	15' 10"	13' 2"	16' 8"	S10"X25.4#	4-5/8"	6' 6"	8"	857	3A1015
	15'	14' 1"	13' 6"	9' 4"	12' 10"	10' 2"	13' 8"	S10"X25.4#	4-5/8"	6' 6"	8"	990	3A1512
		14' 1"	13' 6"	12' 4"	15' 10"	13' 2"	16' 8"	S10"X25.4#	4-5/8"	6' 6"	8"	1,054	3A1515
	20'	19' 1"	18' 6"	9' 4"	12' 10"	10' 9"	14' 3"	W16"X50#	7-1/8"	6' 6"	8"	1,611	3A2012-W
		19' 1"	18' 6"	12' 4"	15' 10"	13' 9"	17' 3"	W16"X50#	7-1/8"	6' 6"	8"	1,673	3A2015-W
	25'	24' 1"	23' 6"	9' 4"	12' 10"	10' 11"	14' 5"	W16"X50#	7-1/8"	6' 6"	8"	1,861	3A2512-W
		24' 1"	23' 6"	12' 4"	15' 10"	13' 11"	17' 5"	W16"X50#	7-1/8"	6' 6"	8"	1,949	3A2515-W
	30'	29' 1"	28' 6"	9' 4"	12' 10"	10' 11"	14' 5"	W18"X55#	7-1/2"	6' 6"	8"	2,261	3A3012-W
		29' 1"	28' 6"	12' 4"	15' 10"	13' 11"	17' 5"	W18"X55#	7-1/2"	6' 6"	8"	2,349	3A3015-W
	35'	34' 1"	33' 6"	9' 4"	12' 10"	11' 2"	14' 8"	W21"X68#	8-1/4"	6' 6"	8"	2,991	3A3512-W
		34' 1"	33' 6"	12' 4"	15' 10"	14' 2"	17' 8"	W21"X68#	8-1/4"	6' 6"	8"	3,079	3A3515-W
40'	39' 1"	38' 6"	9' 4"	12' 10"	11' 5"	14' 11"	W24"X84#	9"	6' 6"	8"	3,971	3A4012-W	
	39' 1"	38' 6"	12' 4"	15' 10"	14' 5"	17' 11"	W24"X84#	9"	6' 6"	8"	4,059	3A4015-W	

A CAPACITY	B1 OVERALL SPAN	B2 MAX. SPAN BETWEEN WHEEL CENTERS	C CLEAR SPAN	D1 HEIGHT UNDER BEAM		D2 OVERALL HEIGHT		E1 BEAM SIZE	E2 FLANGE WIDTH	F TREAD	G CASTER DIA.	NET WT. (LBS.)	MODEL
				Min.	Max.	Min.	Max.						
5 TON	10'	9' 1"	8' 6"	9' 4"	12' 10"	10' 2"	13' 8"	S10"X25.4#	4-5/8"	6' 6"	8"	1,040	5A1012
		9' 1"	8' 6"	12' 4"	15' 10"	13' 2"	16' 8"	S10"X25.4#	4-5/8"	6' 6"	8"	1,124	5A1015
	15'	14' 1"	13' 6"	9' 4"	12' 10"	10' 7"	14' 1"	S15"X42.9#	5-1/2"	6' 6"	8"	1,430	5A1512
		14' 1"	13' 6"	12' 4"	15' 10"	13' 7"	17' 1"	S15"X42.9#	5-1/2"	6' 6"	8"	1,514	5A1515
	20'	19' 1"	18' 6"	9' 4"	12' 10"	11' 5"	14' 11"	W24"X84#	9"	6' 6"	8"	2,466	5A2012-W
		19' 1"	18' 6"	12' 4"	15' 10"	14' 5"	17' 11"	W24"X84#	9"	6' 6"	8"	2,550	5A2015-W
	25'	24' 1"	23' 6"	9' 4"	12' 10"	11' 5"	14' 11"	W24"X84#	9"	6' 6"	8"	2,886	5A2512-W
		24' 1"	23' 6"	12' 4"	15' 10"	14' 5"	17' 11"	W24"X84#	9"	6' 6"	8"	2,970	5A2515-W
	30'	29' 1"	28' 6"	9' 4"	12' 10"	11' 5"	14' 11"	W24"X84#	9"	6' 6"	8"	3,306	5A3012-W
		29' 1"	28' 6"	12' 4"	15' 10"	14' 5"	17' 11"	W24"X84#	9"	6' 6"	8"	3,390	5A3015-W
	35'	34' 1"	33' 6"	9' 4"	12' 10"	11' 5"	14' 11"	W24"X103#	9"	6' 6"	8"	4,085	5A3512-W
		34' 1"	33' 6"	12' 4"	15' 10"	14' 5"	17' 11"	W24"X103#	9"	6' 6"	8"	4,787	5A3515-W
	40'	39' 1"	38' 6"	9' 4"	12' 10"	11' 5"	14' 11"	W24"X103#	9"	6' 6"	8"	5,200	5A4012-W
		39' 1"	38' 6"	12' 4"	15' 10"	14' 5"	17' 11"	W24"X103#	9"	6' 6"	8"	5,302	5A4015-W

A CAPACITY	B1 OVERALL SPAN	B2 MAX. SPAN BETWEEN WHEEL CENTERS	C CLEAR SPAN	D1 HEIGHT UNDER BEAM		D2 OVERALL HEIGHT		E1 BEAM SIZE	E2 FLANGE WIDTH	F TREAD	G CASTER DIA.	NET WT. (LBS.)	MODEL
				Min.	Max.	Min.	Max.						
7½ TON	10'	9' 1"	8' 6"	9' 0"	13' 0"	10' 0"	14' 0"	S12"X31.8#	5"	6' 6"	12"	1,398	7A1013
		9' 1"	8' 6"	12' 0"	16' 0"	13' 0"	17' 0"	S12"X31.8#	5"	6' 6"	12"	1,500	7A1016
	15'	14' 1"	13' 6"	9' 0"	13' 0"	10' 6"	14' 6"	S18"X54.7#	6"	6' 6"	12"	1,900	7A1513
		14' 1"	13' 6"	12' 0"	16' 0"	13' 6"	17' 6"	S18"X54.7#	6"	6' 6"	12"	2,002	7A1516
	20'	19' 1"	18' 6"	9' 0"	13' 0"	10' 7"	14' 7"	S18"X54.7#*	6"	6' 6"	12"	2,373	7A2013
		19' 1"	18' 6"	12' 0"	16' 0"	13' 7"	17' 7"	S18"X54.7#*	6"	6' 6"	12"	2,475	7A2016
	25'	24' 1"	23' 6"	9' 0"	13' 0"	10' 7"	14' 7"	S18"X54.7#*	6"	6' 6"	12"	2,480	7A2513
		24' 1"	23' 6"	12' 0"	16' 0"	13' 7"	17' 7"	S18"X54.7#*	6"	6' 6"	12"	2,582	7A2516
	30'	29' 1"	28' 6"	9' 0"	13' 0"	11' 1"	15' 1"	S24"X80#	7"	6' 6"	12"	3,519	7A3013
		29' 1"	28' 6"	12' 0"	16' 0"	14' 1"	18' 1"	S24"X80#	7"	6' 6"	12"	3,621	7A3016
	35'	34' 1"	33' 6"	9' 0"	13' 0"	11' 1"	15' 1"	S24"X80#*	7"	6' 6"	12"	4,415	7A3513
		34' 1"	33' 6"	12' 0"	16' 0"	14' 1"	18' 1"	S24"X80#*	7"	6' 6"	12"	4,517	7A3516
	40'	39' 1"	38' 6"	9' 0"	13' 0"	11' 1"	15' 1"	S24"X80#*	7"	6' 6"	12"	4,892	7A4013
		39' 1"	38' 6"	12' 0"	16' 0"	14' 1"	18' 1"	S24"X80#*	7"	6' 6"	12"	4,994	7A4016

A CAPACITY	B1 OVERALL SPAN	B2 MAX. SPAN BETWEEN WHEEL CENTERS	C CLEAR SPAN	D1 HEIGHT UNDER BEAM		D2 OVERALL HEIGHT		E1 BEAM SIZE	E2 FLANGE WIDTH	F TREAD	G CASTER DIA.	NET WT. (LBS.)	MODEL
				Min.	Max.	Min.	Max.						
10 TON	10'	9' 1"	8' 6"	8' 11"	12' 11"	10' 5"	14' 5"	S18"X54.7#	6"	6' 6"	12"	1,921	10A1013
		9' 1"	8' 6"	11' 11"	15' 11"	13' 5"	17' 5"	S18"X54.7#	6"	6' 6"	12"	2,057	10A1016
	15'	14' 1"	13' 6"	8' 11"	12' 11"	10' 5"	14' 5"	S18"X54.7#	6"	6' 6"	12"	2,194	10A1513
		14' 1"	13' 6"	11' 11"	15' 11"	13' 5"	17' 5"	S18"X54.7#	6"	6' 6"	12"	2,330	10A1516
	20'	19' 1"	18' 6"	8' 11"	12' 11"	10' 11"	14' 11"	S24"X80#	7"	6' 6"	12"	2,964	10A2013
		19' 1"	18' 6"	11' 11"	15' 11"	13' 11"	17' 11"	S24"X80#	7"	6' 6"	12"	3,110	10A2016
	25'	24' 1"	23' 6"	8' 11"	12' 11"	11' 0"	15' 0"	S24"X80#*	7"	6' 6"	12"	3,634	10A2513
		24' 1"	23' 6"	11' 11"	15' 11"	14' 0"	18' 0"	S24"X80#*	7"	6' 6"	12"	3,770	10A2516
	30'	29' 1"	28' 6"	8' 11"	12' 11"	11' 0"	15' 0"	S24"X80#*	7"	6' 6"	12"	4,395	10A3013
		29' 1"	28' 6"	11' 11"	15' 11"	14' 0"	18' 0"	S24"X80#*	7"	6' 6"	12"	4,531	10A3016
	35'	34' 1"	33' 6"	8' 11"	12' 11"	11' 0"	15' 0"	S24"X80#*	7"	6' 6"	12"	4,899	10A3513
		34' 1"	33' 6"	11' 11"	15' 11"	14' 0"	18' 0"	S24"X80#*	7"	6' 6"	12"	5,035	10A3516
	40'	39' 1"	38' 6"	8' 11"	12' 11"	11' 0"	15' 0"	S24"X80#*	7"	6' 6"	12"	5,402	10A4013
		39' 1"	38' 6"	11' 11"	15' 11"	14' 0"	18' 0"	S24"X80#*	7"	6' 6"	12"	5,538	10A4016

* Capped Beam



SPANCO GANTRY CRANES

A-Series Steel, Fixed-Height



A CAPACITY	B1 OVERALL SPAN	B2 MAX. SPAN BETWEEN WHEEL CENTERS	C CLEAR SPAN	D1 HEIGHT UNDER BEAM	D2 OVERALL HEIGHT	E1 BEAM SIZE	E2 FLANGE WIDTH	F TREAD	G CASTER DIA.	NET WT. (LBS.)	MODEL
1 TON	8'	7' 3"	6' 11"	10' 0"	10' 6"	S6"X12.5#	3-3/8"	5' 5"	6"	320	1F0810
	10'	9' 3"	8' 11"	10' 0"	10' 6"	S6"X12.5#	3-3/8"	5' 5"	6"	345	1F1010
	12'	11' 3"	10' 11"	10' 0"	10' 6"	S6"X12.5#	3-3/8"	5' 5"	6"	370	1F1210
	15'	14' 3"	13' 11"	10' 0"	10' 8"	S8"X18.4#	4"	5' 5"	6"	450	1F1510
	20'	19' 3"	18' 11"	10' 0"	10' 11"	W10"X30#	5-3/4"	5' 5"	6"	820	1F2010-W
	25'	24' 3"	23' 11"	10' 0"	10' 11"	W10"X30#	5-3/4"	5' 5"	6"	970	1F2510-W
	30'	29' 3"	28' 10"	10' 0"	10' 11"	W10"X30#	5-3/4"	6' 6"	8"	1,120	1F3010-W
	35'	34' 1"	33' 8"	10' 0"	11' 5"	W16"X50#	7-1/8"	6' 6"	8"	1,970	1F3510-W
40'	39' 1"	38' 8"	10' 0"	11' 5"	W16"X50#	7-1/8"	6' 6"	8"	2,220	1F4010-W	

A CAPACITY	B1 OVERALL SPAN	B2 MAX. SPAN BETWEEN WHEEL CENTERS	C CLEAR SPAN	D1 HEIGHT UNDER BEAM	D2 OVERALL HEIGHT	E1 BEAM SIZE	E2 FLANGE WIDTH	F TREAD	G CASTER DIA.	NET WT. (LBS.)	MODEL
2 TON	10'	9' 3"	8' 10"	10' 0"	10' 8"	S8"X18.4#	4"	6' 6"	8"	612	2F1010
	15'	14' 3"	13' 10"	10' 0"	10' 10"	S10"X25.4#	4-5/8"	6' 6"	8"	809	2F1510
	20'	19' 3"	18' 10"	10' 0"	11' 1"	W12"X35#	6-1/2"	6' 6"	8"	1,128	2F2010-W
	25'	24' 3"	23' 10"	10' 0"	11' 1"	W12"X35#	6-1/2"	6' 6"	8"	1,303	2F2510-W
	30'	29' 1"	28' 8"	10' 0"	11' 5"	W16"X50#	7-1/8"	6' 6"	8"	1,928	2F3010-W
	35'	34' 1"	33' 8"	10' 0"	11' 7"	W18"X55#	7-1/2"	6' 6"	8"	2,353	2F3510-W
40'	39' 1"	38' 8"	10' 0"	11' 5"	W16"X50#*	7-1/8"	6' 6"	8"	2,829	2F4010-W	

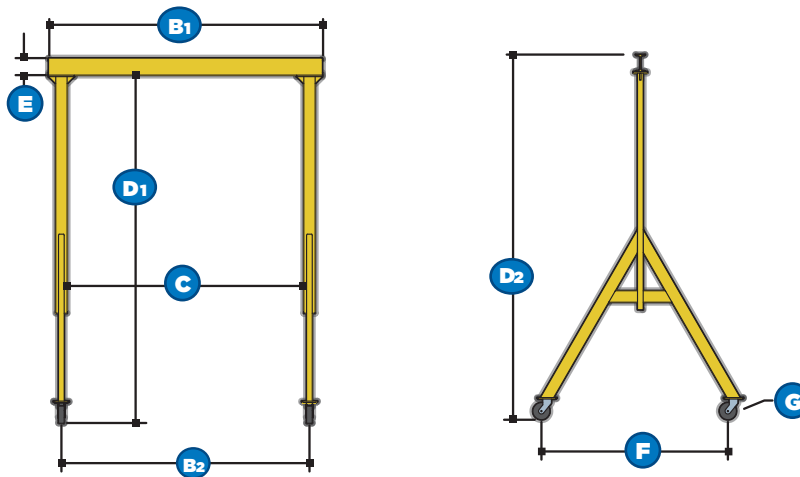
A CAPACITY	B1 OVERALL SPAN	B2 MAX. SPAN BETWEEN WHEEL CENTERS	C CLEAR SPAN	D1 HEIGHT UNDER BEAM	D2 OVERALL HEIGHT	E1 BEAM SIZE	E2 FLANGE WIDTH	F TREAD	G CASTER DIA.	NET WT. (LBS.)	MODEL
3 TON	10'	9' 3"	8' 7"	12' 10"	13' 8"	S10"X25.4#	4-5/8"	6' 6"	8"	739	3F1012
	15'	14' 3"	13' 7"	12' 10"	13' 8"	S10"X25.4#	4-5/8"	6' 6"	8"	936	3F1512
	20'	19' 3"	18' 7"	12' 10"	14' 3"	W16"X50#	7-1/8"	6' 6"	8"	1,555	3F2012-W
	25'	24' 1"	23' 7"	12' 10"	14' 3"	W16"X50#	7-1/8"	6' 6"	8"	1,805	3F2512-W
	30'	29' 1"	28' 7"	12' 10"	14' 5"	W18"X55#	7-1/2"	6' 6"	8"	2,205	3F3012-W
	35'	34' 1"	33' 7"	12' 10"	14' 8"	W21"X68#	8-1/4"	6' 6"	8"	2,935	3F3512-W
40'	39' 1"	38' 7"	12' 10"	14' 11"	W24"X84#	9"	6' 6"	8"	3,915	3F4012-W	

A CAPACITY	B1 OVERALL SPAN	B2 MAX. SPAN BETWEEN WHEEL CENTERS	C CLEAR SPAN	D1 HEIGHT UNDER BEAM	D2 OVERALL HEIGHT	E1 BEAM SIZE	E2 FLANGE WIDTH	F TREAD	G CASTER DIA.	NET WT. (LBS.)	MODEL
5 TON	10'	9' 1"	8' 7"	15' 10"	16' 8"	S10"X25.4#	4-5/8"	6' 6"	8"	1,060	5F1015
	15'	14' 1"	13' 7"	15' 10"	17' 1"	S15"X42.9#	5-1/2"	6' 6"	8"	1,450	5F1515
	20'	19' 1"	18' 7"	15' 10"	17' 11"	W24"X84#	9"	6' 6"	8"	2,486	5F2015-W
	25'	24' 1"	23' 7"	15' 10"	17' 11"	W24"X84#	9"	6' 6"	8"	2,906	5F2515-W
	30'	29' 1"	28' 7"	15' 10"	17' 11"	W24"X84#	9"	6' 6"	8"	3,326	5F3015-W
	35'	34' 1"	33' 7"	15' 10"	17' 11"	W24"X103#	9"	6' 6"	8"	4,411	5F3515-W
40'	39' 1"	38' 7"	15' 10"	17' 11"	W24"X103#	9"	6' 6"	8"	4,926	5F4015-W	

A CAPACITY	B1 OVERALL SPAN	B2 MAX. SPAN BETWEEN WHEEL CENTERS	C CLEAR SPAN	D1 HEIGHT UNDER BEAM	D2 OVERALL HEIGHT	E1 BEAM SIZE	E2 FLANGE WIDTH	F TREAD	G CASTER DIA.	NET WT. (LBS.)	MODEL
7½ TON	10'	9' 1"	8' 7"	16' 0"	17' 0"	S12"X31.8#	5"	6' 6"	12"	1,437	7F1016
	15'	14' 1"	13' 7"	16' 0"	17' 6"	S18"X54.7#	6"	6' 6"	12"	1,938	7F1516
	20'	19' 1"	18' 7"	16' 0"	17' 6"	S18"X54.7#*	6"	6' 6"	12"	2,411	7F2016
	25'	24' 1"	23' 7"	16' 0"	17' 6"	S18"X54.7#*	6"	6' 6"	12"	3,004	7F2516
	30'	29' 1"	28' 7"	16' 0"	18' 0"	S24"X80#*	7"	6' 6"	12"	4,140	7F3016
	35'	34' 1"	33' 7"	16' 0"	18' 0"	S24"X80#*	7"	6' 6"	12"	4,643	7F3516
40'	39' 1"	38' 7"	16' 0"	18' 0"	S24"X80#*	7"	6' 6"	12"	5,146	7F4016	

A CAPACITY	B1 OVERALL SPAN	B2 MAX. SPAN BETWEEN WHEEL CENTERS	C CLEAR SPAN	D1 HEIGHT UNDER BEAM	D2 OVERALL HEIGHT	E1 BEAM SIZE	E2 FLANGE WIDTH	F TREAD	G CASTER DIA.	NET WT. (LBS.)	MODEL
10 TON	10'	9' 1"	8' 7"	16' 0"	17' 6"	S18"X54.7#	6"	6' 6"	12"	1,957	10F1016
	15'	14' 1"	13' 7"	16' 0"	17' 6"	S18"X54.7#	6"	6' 6"	12"	2,230	10F1516
	20'	19' 1"	18' 7"	16' 0"	18' 0"	S24"X80#	7"	6' 6"	12"	3,010	10F2016
	25'	24' 1"	23' 7"	16' 0"	18' 0"	S24"X80#*	7"	6' 6"	12"	3,670	10F2516
	30'	29' 1"	28' 7"	16' 0"	18' 0"	S24"X80#*	7"	6' 6"	12"	4,431	10F3016
	35'	34' 1"	33' 7"	16' 0"	18' 0"	S24"X80#*	7"	6' 6"	12"	4,935	10F3516
40'	39' 1"	38' 7"	16' 0"	18' 0"	S24"X80#*	7"	6' 6"	12"	5,439	10F4016	

* Capped Beam



SPANCO GANTRY CRANES

A-Series Aluminum Adjustable Height & Span



A CAPACITY	B1 OVERALL SPAN	B2 MAX. SPAN BETWEEN WHEEL CENTERS	C CLEAR SPAN	D1 HEIGHT UNDER BEAM		D2 OVERALL HEIGHT		E1 BEAM SIZE	E2 FLANGE WIDTH	F TREAD	G CASTER DIA.	NET WT. (LBS.)	MODEL
				Min.	Max.	Min.	Max.						
1/2 TON	8'	7' 3"	6' 11"	6' 6"	9' 0"	6' 11"	9' 5"	ALU5"X3.43#	3"	4' 2"	6"	116	0.5ALU0809
		7' 3"	6' 11"	8' 6"	11' 0"†	8' 11"	11' 5"	ALU5"X3.43#	3"	4' 2"	6"	135	0.5ALU0811
	10'	9' 3"	8' 11"	6' 6"	9' 0"	7' 0"	9' 6"	ALU6"X4.3#	3-3/8"	4' 2"	6"	131	0.5ALU1009
		9' 3"	8' 11"	6' 6"	11' 0"†	9' 0"	11' 6"	ALU6"X4.3#	3-3/8"	4' 2"	6"	150	0.5ALU1011
	12'	11' 3"	10' 11"	6' 6"	9' 0"	7' 2"	9' 8"	ALU8"X6.35#	4"	4' 2"	6"	164	0.5ALU1209
11' 3"		10' 11"	8' 6"	11' 0"†	9' 2"	11' 8"	ALU8"X6.35#	4"	4' 2"	6"	183	0.5ALU1211	
15'	14' 3"	13' 11"	6' 6"	9' 0"	7' 2"	9' 8"	ALU8"X6.35#	4"	4' 2"	6"	192	0.5ALU159	
	14' 3"	13' 11"	8' 6"	11' 0"†	9' 2"	11' 8"	ALU8"X6.35#	4"	4' 2"	6"	211	0.5ALU1511	

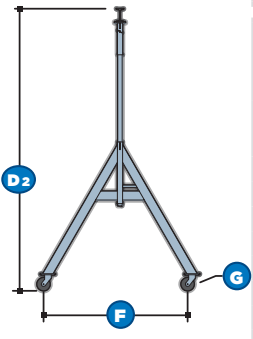
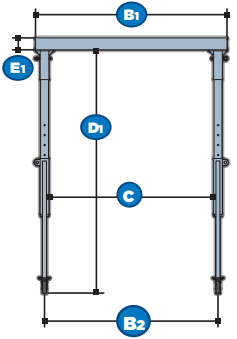
A CAPACITY	B1 OVERALL SPAN	B2 MAX. SPAN BETWEEN WHEEL CENTERS	C CLEAR SPAN	D1 HEIGHT UNDER BEAM		D2 OVERALL HEIGHT		E1 BEAM SIZE	E2 FLANGE WIDTH	F TREAD	G CASTER DIA.	NET WT. (LBS.)	MODEL
				Min.	Max.	Min.	Max.						
1 TON	8'	7' 3"	6' 10"	5' 7"	8' 1"	6' 1"	8' 7"	ALU6"X4.3#	3-3/8"	4' 6"	6"	150	1ALU0808
		7' 3"	6' 10"	7' 7"	10' 1"	8' 1"	10' 7"	ALU6"X4.3#	3-3/8"	4' 6"	6"	157	1ALU0810
		7' 3"	6' 10"	9' 7"	12' 1"†	10' 1"†	12' 7"†	ALU6"X4.3#	3-3/8"	4' 6"	6"	197	1ALU0812
	10'	9' 3"	8' 10"	5' 7"	8' 1"	6' 3"	8' 9"	ALU8"X6.35#	4"	4' 6"	6"	180	1ALU1008
		9' 3"	8' 10"	7' 7"	10' 1"	8' 3"	10' 9"	ALU8"X6.35#	4"	4' 6"	6"	187	1ALU1010
		9' 3"	8' 10"	9' 7"	12' 1"†	10' 3"†	12' 9"†	ALU8"X6.35#	4"	4' 6"	6"	227	1ALU1012
	12'	11' 3"	10' 10"	5' 7"	8' 1"	6' 3"	8' 9"	ALU8"X6.35#	4"	4' 6"	6"	192	1ALU1208
		11' 3"	10' 10"	7' 7"	10' 1"	8' 3"	10' 9"	ALU8"X6.35#	4"	4' 6"	6"	199	1ALU1210
		11' 3"	10' 10"	9' 7"	12' 1"†	10' 3"†	12' 9"†	ALU8"X6.35#	4"	4' 6"	6"	239	1ALU1212
	15'	14' 3"	13' 10"	5' 7"	8' 1"	6' 5"	8' 11"	ALU10"X8.76#	4-5/8"	4' 6"	6"	248	1ALU1508
		14' 3"	13' 10"	7' 7"	10' 1"	8' 5"	10' 11"	ALU10"X8.76#	4-5/8"	4' 6"	6"	255	1ALU1510
		14' 3"	13' 10"	9' 7"	12' 1"†	10' 5"†	12' 11"†	ALU10"X8.76#	4-5/8"	4' 6"	6"	295	1ALU1512
	18'	17' 3"	16' 9"	5' 10"	8' 4"	6' 11"	9' 5"	ALU12"X10.99#*	5"	4' 4"	8"	389	1ALU1808
17' 3"		16' 9"	7' 10"	10' 4"	8' 11"	11' 5"	ALU12"X10.99#*	5"	4' 4"	8"	401	1ALU1810	
17' 3"		16' 9"	9' 10"	12' 4"†	10' 11"†	13' 5"†	ALU12"X10.99#*	5"	4' 4"	8"	441	1ALU1812	
19' 3"		18' 9"	5' 10"	8' 4"	6' 11"	9' 5"	ALU12"X10.99#*	5"	4' 4"	8"	423	1ALU2008	
20'	19' 3"	18' 9"	7' 10"	10' 4"	8' 11"	11' 5"	ALU12"X10.99#*	5"	4' 4"	8"	435	1ALU2010	
	19' 3"	18' 9"	9' 10"	12' 4"†	10' 11"†	13' 5"†	ALU12"X10.99#*	5"	4' 4"	8"	475	1ALU2012	

A CAPACITY	B1 OVERALL SPAN	B2 MAX. SPAN BETWEEN WHEEL CENTERS	C CLEAR SPAN	D1 HEIGHT UNDER BEAM		D2 OVERALL HEIGHT		E1 BEAM SIZE	E2 FLANGE WIDTH	F TREAD	G CASTER DIA.	NET WT. (LBS.)	MODEL
				Min.	Max.	Min.	Max.						
2 TON	8'	7' 3"	6' 9"	5' 10"	8' 4"	6' 6"	9' 0"	ALU8"X6.35#	4"	4' 4"	8"	237	2ALU0808
		7' 3"	6' 9"	7' 10"	10' 4"	8' 6"	11' 0"	ALU8"X6.35#	4"	4' 4"	8"	246	2ALU0810
		7' 3"	6' 9"	9' 10"†	12' 4"†	10' 6"†	13' 0"†	ALU8"X6.35#	4"	4' 4"	8"	276	2ALU0812
	10'	9' 3"	8' 9"	5' 10"	8' 4"	6' 8"	9' 2"	ALU10"X8.76#	4-5/8"	4' 4"	8"	274	2ALU1008
		9' 3"	8' 9"	7' 10"	10' 4"	8' 8"	11' 2"	ALU10"X8.76#	4-5/8"	4' 4"	8"	286	2ALU1010
		9' 3"	8' 9"	9' 10"†	12' 4"†	10' 8"†	13' 2"†	ALU10"X8.76#	4-5/8"	4' 4"	8"	313	2ALU1012
	12'	11' 3"	10' 9"	5' 10"	8' 4"	6' 10"	9' 4"	ALU12"X10.99#	5"	4' 4"	8"	322	2ALU1208
		11' 3"	10' 9"	7' 10"	10' 4"	8' 10"	11' 4"	ALU12"X10.99#	5"	4' 4"	8"	334	2ALU1210
		11' 3"	10' 9"	9' 10"†	12' 4"†	10' 10"†	13' 4"†	ALU12"X10.99#	5"	4' 4"	8"	361	2ALU1212
	15'	14' 3"	13' 9"	5' 10"	8' 4"	6' 10"	9' 4"	ALU12"X10.99#	5"	4' 4"	8"	355	2ALU1508
14' 3"		13' 9"	7' 10"	10' 4"	8' 10"	11' 4"	ALU12"X10.99#	5"	4' 4"	8"	367	2ALU1510	
14' 3"		13' 9"	9' 10"†	12' 4"†	10' 10"†	13' 4"†	ALU12"X10.99#	5"	4' 4"	8"	394	2ALU1512	

A CAPACITY	B1 OVERALL SPAN	B2 MAX. SPAN BETWEEN WHEEL CENTERS	C CLEAR SPAN	D1 HEIGHT UNDER BEAM		D2 OVERALL HEIGHT		E1 BEAM SIZE	E2 FLANGE WIDTH	F TREAD	G CASTER DIA.	NET WT. (LBS.)	MODEL
				Min.	Max.	Min.	Max.						
3 TON	8'	7' 2"	6' 8-1/2"	6' 2"	8' 2"	7' 2"	9' 2"	ALU12"X10.99#	5"	4' 8"	8"	350	3ALU0808
		7' 2"	6' 8-1/2"	7' 8"	10' 2"	8' 8"	11' 2"	ALU12"X10.99#	5"	4' 8"	8"	369	3ALU0810
		7' 2"	6' 8-1/2"	9' 8"†	12' 2"†	10' 8"†	13' 2"†	ALU12"X10.99#	5"	4' 8"	8"	416	3ALU0812
	10'	9' 2"	8' 8-1/2"	6' 2"	8' 2"	7' 2"	9' 2"	ALU12"X10.99#	5"	4' 8"	8"	372	3ALU1008
		9' 2"	8' 8-1/2"	7' 8"	10' 2"	8' 8"	11' 2"	ALU12"X10.99#	5"	4' 8"	8"	391	3ALU1010
		9' 2"	8' 8-1/2"	9' 8"†	12' 2"†	10' 8"†	13' 2"†	ALU12"X10.99#	5"	4' 8"	8"	438	3ALU1012
	12'	11' 2"	10' 8-1/2"	6' 2"	8' 2"	7' 3"	9' 3"	ALU12"X10.99#	5"	4' 8"	8"	426	3ALU1208
		11' 2"	10' 8-1/2"	7' 8"	10' 2"	8' 9"	11' 3"	ALU12"X10.99#	5"	4' 8"	8"	445	3ALU1210
		11' 2"	10' 8-1/2"	9' 8"†	12' 2"†	10' 9"†	13' 3"†	ALU12"X10.99#*	5"	4' 8"	8"	491	3ALU1212
	15'	14' 2"	13' 8-1/2"	6' 2"	8' 2"	7' 3"	9' 3"	ALU12"X10.99#*	5"	4' 8"	8"	467	3ALU1508
		14' 2"	13' 8-1/2"	7' 8"	10' 2"	8' 9"	11' 3"	ALU12"X10.99#*	5"	4' 8"	8"	479	3ALU1510
		14' 2"	13' 8-1/2"	9' 8"†	12' 2"†	10' 9"†	13' 3"†	ALU12"X10.99#*	5"	4' 8"	8"	532	3ALU1512

* Capped Beam

† 2' Height Extension
Kit Included



SPANCO ALUMINUM-SERIES GANTRY CRANES

Aluminum	Capacities*	Heights Under I-Beam*	Span Lengths*
Aluminum	Up to 3 tons	Up to 12' 4"	Up to 20'

*The maximum capacities and dimensions listed above vary depending on the combination of the span, capacity, and HUB selected for the system. Larger spans and heights may be available.

OPTIONS FOR ALUMINUM GANTRY CRANES

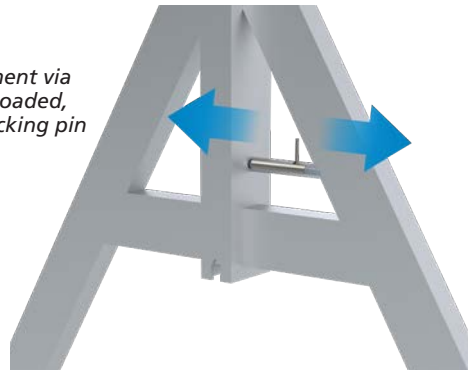
Caster Options:

- Wheel brakes on polyurethane casters
- Steel V-groove casters with rigid body for use on V-groove tracks
- Pneumatic Tires: Either single or dual; perfect for soft roofs
- Height Adjustment Winch-Hoist Kits: Includes two Lug-All® cable winch-hoists to change I-beam height quickly and easily. **NOTE:** Only for use on Spanco A-Series Gantry Cranes, including the All-Aluminum models. Use height adjustment kits under no-load conditions.



Two workers adjusting the height on an aluminum gantry crane using a Lug-All® Winch Hoist.

Height adjustment via spring-loaded, steel locking pin



With systems as light as 116 pounds, just one worker can typically carry, assemble, and precisely position a Spanco Aluminum Gantry Crane almost anywhere — including rooftops. Designed to easily fit into or on top of most service trucks, these lightweight gantries carry up to 3 tons and are popular with contractors and in the HVAC industry.



Optional dual pneumatic tires



A 2-ton Spanco Aluminum Gantry Crane lifting the top portion of a grill for quick assembly.

GANTRY CRANES E-SERIES

DURABLE & ECONOMICAL

Spanco® E-Series Gantry Cranes are straightforward, durable, dependent lifting solutions.

“E” stands for “Economical” — but don’t be confused. These gantry cranes are heavy-duty, industrial-grade cranes designed for long service life.

- Made from high-strength square mechanical tubing.
- Fully-braced uprights for solid I-beam positioning.
- Equipped with swivel casters with durable moldon polyurethane wheels for easy rolling and excellent floor protection.



A Spanco E-Series Fixed-Height Gantry Crane used for military vehicle maintenance in Afghanistan.

SPANCO E-SERIES GANTRY CRANES

E-Series	Capacities*	Heights Under I-Beam*	Span Lengths*
Fixed Height	Up to 5 tons	10'	12'
Adjustable Height & Span	Up to 5 tons	Up to 14' 2"	11' 6"

*The maximum capacities and dimensions listed above vary depending on the combination of the span, capacity, and HUB selected for the system. Larger spans and heights may be available.

OPTIONS FOR E-SERIES GANTRY CRANES

Adjustable Height Cranes:

- Adjust height of I-beam in six-inch increments. Adjustable models have lifting capacities up to 3 tons.

Caster Options:

- Wheel brakes on polyurethane casters
- Steel V-groove casters with rigid body for use on V-tracks

Important Notes about the E-Series

- Even though these economical gantry cranes are highly affordable, they are manufactured in accordance with of the following standards set for crane manufacturers: CMAA, AWS, and OSHA.
- Spanco E-Series Gantry Cranes are not for use with motor-driven hoist trolleys.
- These gantry cranes are manually propelled (only). For motorized gantry travel options, please see our Spanco PF-Series (page 25), and Power Drive Kits (page 35).



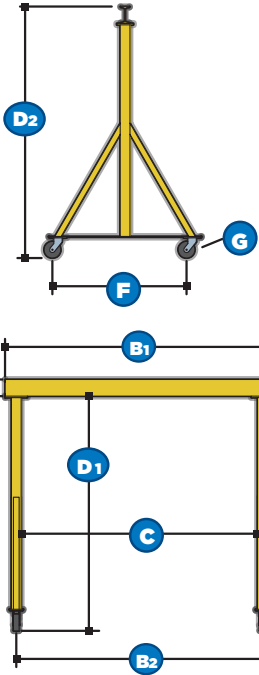
Spanco E-Series Gantry Cranes are popular among welders and other fabricators needing simple stable highly mobile lifting solutions



A 1-Ton Spanco E-Series Gantry Crane lifting heavy parts from the back of a truck bed.

SPANCO GANTRY CRANES

E-SERIES Steel Fixed-Height



A CAPACITY	B1 OVERALL SPAN	B2 MAX. SPAN BETWEEN WHEEL CENTERS	C CLEAR SPAN	D1 HEIGHT UNDER BEAM	D2 OVERALL HEIGHT	E1 BEAM TYPE	E2 FLANGE WIDTH	F TREAD	G CASTER DIA.	NET WT. (LBS.)	MODEL
1 TON	12'	11' 3"	10' 11"	10' 0"	10' 6"	S6"X12.5#	3-3/8"	64"	6"	354	F2000
2 TON	12'	11' 3"	10' 11"	10' 0"	10' 8"	S8"X18.4#	4"	64"	8"	580	F4000
3 TON	12'	11' 1"	10' 10"	10' 0"	10' 10"	S10"X25.4#	4-5/8"	64"	8"	719	F6000
5 TON	12'	11' 1"	10' 7"	10' 0"	11' 0"	S12"X31.8#	5"	64"	8"	925	F10000

E-SERIES Steel with Adjustable Height & Span



A CAPACITY	B1 OVERALL SPAN	B2 MAX. SPAN BETWEEN WHEEL CENTERS	C CLEAR SPAN		D1 HEIGHT UNDER BEAM		D2 OVERALL HEIGHT		E1 BEAM SIZE	E2 FLANGE WIDTH	F TREAD	G CASTER DIA.	NET WT. (LBS.)	MODEL
			Min.	Max.	Min.	Max.	Min.	Max.						
1 TON	11' 6"	10' 10"	4' 0"	10' 6"	4' 4"	7' 0"	4' 10"	7' 6"	S6"X12.5#	3-3/8"	4' 0"	6"	351	1AW1007
		10' 10"	5' 0"	10' 6"	5' 4"	9' 0"	5' 10"	9' 6"	S6"X12.5#	3-3/8"	5' 0"	6"	394	1AW1009
		10' 10"	5' 6"	10' 6"	5' 10"	10' 0"	6' 4"	10' 6"	S6"X12.5#	3-3/8"	5' 6"	6"	415	1AW1010
		10' 10"	6' 6"	10' 6"	6' 10"	12' 0"	7' 4"	12' 6"	S6"X12.5#	3-3/8"	6' 6"	6"	433	1AW1012
		10' 10"	7' 6"	10' 6"	7' 10"	14' 0"	8' 4"	14' 6"	S6"X12.5#	3-3/8"	7' 6"	6"	504	1AW1014

A CAPACITY	B1 OVERALL SPAN	B2 MAX. SPAN BETWEEN WHEEL CENTERS	C CLEAR SPAN		D1 HEIGHT UNDER BEAM		D2 OVERALL HEIGHT		E1 BEAM SIZE	E2 FLANGE WIDTH	F TREAD	G CASTER DIA.	NET WT. (LBS.)	MODEL
			Min.	Max.	Min.	Max.	Min.	Max.						
2 TON	11' 6"	10' 10"	4' 0"	10' 6"	4' 6"	7' 2"	5' 2"	7' 10"	S8"X18.4#	4"	4' 0"	8"	443	2AW1007
		10' 10"	5' 0"	10' 6"	5' 6"	9' 2"	6' 2"	9' 10"	S8"X18.4#	4"	5' 0"	8"	479	2AW1009
		10' 10"	5' 6"	10' 6"	6' 0"	10' 2"	6' 8"	10' 10"	S8"X18.4#	4"	5' 6"	8"	538	2AW1010
		10' 10"	6' 6"	10' 6"	7' 0"	12' 2"	7' 8"	12' 10"	S8"X18.4#	4"	6' 6"	8"	588	2AW1012
		10' 10"	7' 6"	10' 5"	8' 0"	14' 2"	8' 8"	14' 10"	S8"X18.4#	4"	7' 6"	8"	748	2AW1014

A CAPACITY	B1 OVERALL SPAN	B2 MAX. SPAN BETWEEN WHEEL CENTERS	C CLEAR SPAN		D1 HEIGHT UNDER BEAM		D2 OVERALL HEIGHT		E1 BEAM SIZE	E2 FLANGE WIDTH	F TREAD	G CASTER DIA.	NET WT. (LBS.)	MODEL
			Min.	Max.	Min.	Max.	Min.	Max.						
3 TON	11' 6"	10' 10"	4' 0"	10' 6"	4' 4"	7' 0"	5' 2"	7' 10"	S10"X25.4#	4-5/8"	4' 0"	8"	543	3AW1007
		10' 10"	5' 0"	10' 6"	5' 4"	9' 0"	6' 2"	9' 10"	S10"X25.4#	4-5/8"	5' 0"	8"	658	3AW1009
		10' 10"	5' 6"	10' 6"	5' 10"	10' 0"	6' 8"	10' 10"	S10"X25.4#	4-5/8"	5' 6"	8"	694	3AW1010
		10' 10"	6' 6"	10' 6"	6' 10"	12' 0"	7' 8"	12' 10"	S10"X25.4#	4-5/8"	6' 6"	8"	803	3AW1012
		10' 10"	7' 6"	10' 6"	7' 0"	14' 0"	8' 8"	14' 10"	S10"X25.4#	4-5/8"	7' 6"	8"	881	3AW1014

HIGH-CAPACITY LIFT SOLUTIONS

GANTRY CRANES PF-SERIES



Spanco® PF-Series Gantry Cranes offer high-capacity, high-height, long-span, economical lifting solutions.

These strong portal frame (PF) cranes are ideal when:

- Your building can't support jib cranes or overhead cranes. Spanco PF-Series Gantry Cranes are self-supporting and travel directly on the floor.
- Your lifting volume is moderate and can't justify more expensive, permanently installed cranes. Standard PF-Series Gantry Cranes are CMAA Class C service.
- You need an economical versatile lifting system to supplement your existing overhead cranes.
- You lease your facility; Spanco PF-Series Gantry Cranes require no footer or floor penetration or concrete foundation.
- Your plant has been "making do" with multiple forklifts, which are unsafe, inefficient, and time consuming.

Caster Options:

- Wheel brakes on polyurethane casters
- Steel V-groove casters with rigid body for use on V-groove tracks
- Nylacron™ wheels available for easier movement on higher-capacity gantry cranes.



A Spanco Motorized 7.5-ton PF-Series Gantry Crane used to move truckloads of long steel beams at a building material supply center



Three track-mounted PF-Series Gantry Cranes mounted over rail cars for easy maintenance and repair. The track mount ensures smooth travel over a fixed route for increased productivity and ease-of-use.

SPANCO GANTRY CRANES

SPANCO PF-SERIES GANTRY CRANES

PF-Series	Capacities*	Heights Under I-Beam*	Span Lengths*
PF-Series	Up to 15 tons	Up to 35'	Up to 40'

*The maximum capacities and dimensions listed above vary depending on the combination of the span, capacity, and HUB selected for the system. Larger spans and heights may be available.



For more information about track options and power drive options for the PF-Series, please turn to pages 34 & 35

POWER DRIVE OPTIONS FOR PF-SERIES GANTRY CRANES

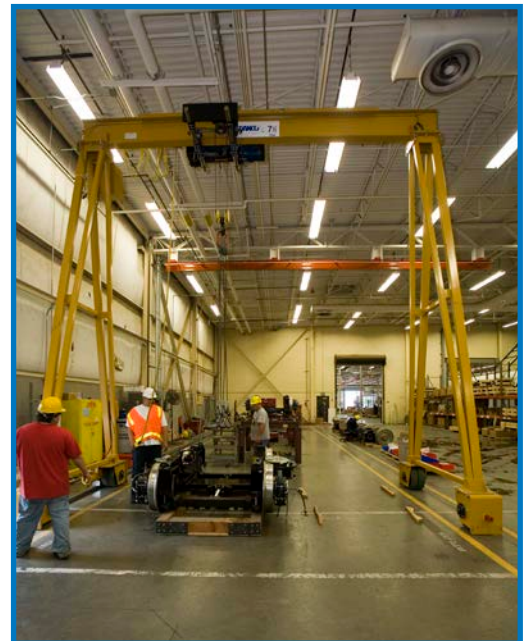
V-Track Drives: Two motors drive rigid steel V-groove wheels along a fixed path.

Guide Angle Drives: Ideal for installations where gantry runs along a wall.

Truly Trackless Drives: Perfect for busy factory floors or when you need to keep your shop floor clear of tracks or angle guides.

Drive Option for PF-Series Gantry Cranes

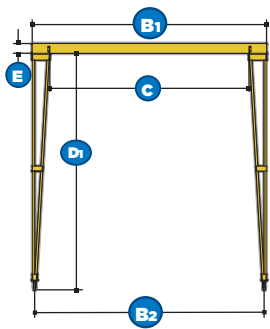
- Motor brakes
- Air-driven power drive kits
- Crane controls
- Push-button stations
- Control enclosures suitable for severe environments or hazardous areas
- Warning lights, audible alarms, or travel limit switches
- Crane wiring with rubber-covered S.O. type cable or in metal conduit
- Cable reels and electrification systems
- Festooning systems: tagline, flat cable, and box track



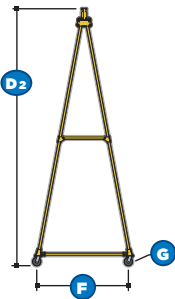
A Spanco 7.5-ton PF-Series Gantry Crane with a Guide Angle Power Drive Kit & Guide Rollers for high-volume, high-capacity travel along a fixed path.

PF-SERIES

All-Steel Construction



A CAPACITY	B1 OVERALL SPAN	B2 MAX. SPAN BETWEEN WHEEL CENTERS	C CLEAR SPAN	D1 HEIGHT UNDER BEAM	D2 OVERALL HEIGHT	E1 BEAM SIZE	E2 FLANGE WIDTH	F TREAD	G CASTER DIA.	NET WT (LBS.)	MODEL
1 TON	15'	14' 7"	12' 0"	20' 0"	20' 8"	S8"X18.4#	4"	7' 6"	8"	814	1PF1520
		14' 5"	12' 0"	25' 0"	25' 8"	S8"X18.4#	4"	9' 4"	8"	1,323	1PF1525
		14' 5"	11' 0"	30' 0"	30' 8"	S8"X18.4#	4"	11' 3"	8"	1,765	1PF1530
		14' 5"	11' 0"	35' 0"	35' 8"	S8"X18.4#	4"	13' 2"	8"	2,017	1PF1535
	20'	19' 7"	17' 0"	20' 0"	20' 10"	S10"X25.4#	4-5/8"	7' 6"	8"	1,046	1PF2020
		19' 5"	17' 0"	25' 0"	25' 10"	S10"X25.4#	4-5/8"	9' 4"	8"	1,555	1PF2025
		19' 5"	16' 0"	30' 0"	30' 10"	S10"X25.4#	4-5/8"	11' 3"	8"	2,079	1PF2030
		19' 5"	16' 0"	35' 0"	35' 10"	S10"X25.4#	4-5/8"	13' 1"	8"	2,297	1PF2035
	25'	24' 7"	21' 0"	20' 0"	21' 0"	S12"X31.8#	5"	7' 6"	8"	1,333	1PF2520
		24' 5"	21' 0"	25' 0"	26' 0"	S12"X31.8#	5"	9' 4"	8"	1,874	1PF2525
		24' 5"	21' 0"	30' 0"	31' 0"	S12"X31.8#	5"	11' 1"	8"	2,366	1PF2530
		24' 5"	21' 0"	35' 0"	36' 0"	S12"X31.8#	5"	13' 1"	8"	2,584	1PF2535
	30'	29' 7"	26' 0"	20' 0"	21' 3"	S15"X42.9#	5-1/2"	7' 6"	8"	1,838	1PF3020
		29' 5"	26' 0"	25' 0"	26' 3"	S15"X42.9#	5-1/2"	9' 4"	8"	2,376	1PF3025
		29' 5"	26' 0"	30' 0"	31' 3"	S15"X42.9#	5-1/2"	11' 3"	8"	2,858	1PF3030
		29' 5"	25' 0"	35' 0"	36' 3"	S15"X42.9#	5-1/2"	13' 1"	8"	3,081	1PF3035
	35'	34' 7"	31' 0"	20' 0"	21' 4"	S15"X42.9#*	5-1/2"	7' 6"	8"	2,447	1PF3520
		34' 5"	31' 0"	25' 0"	26' 4"	S15"X42.9#*	5-1/2"	9' 4"	8"	2,957	1PF3525
		34' 5"	30' 0"	30' 0"	31' 4"	S15"X42.9#*	5-1/2"	11' 1"	8"	3,439	1PF3530
	40'	34' 5"	30' 0"	35' 0"	36' 4"	S15"X42.9#*	5-1/2"	13' 1"	8"	3,662	1PF3535
		39' 7"	35' 0"	20' 0"	21' 4"	S15"X42.9#*	5-1/2"	7' 6"	8"	2,767	1PF4020
		39' 5"	35' 0"	25' 0"	26' 4"	S15"X42.9#*	5-1/2"	9' 4"	8"	3,275	1PF4025
		39' 5"	35' 0"	30' 0"	31' 4"	S15"X42.9#*	5-1/2"	11' 4"	8"	3,751	1PF4030
		39' 5"	35' 0"	35' 0"	36' 4"	S15"X42.9#*	5-1/2"	13' 2"	8"	3,970	1PF4035

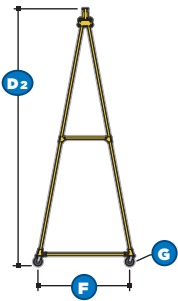
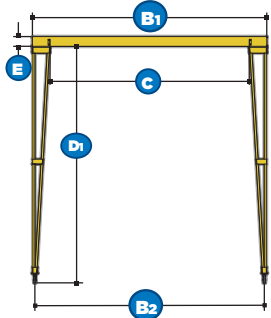


A CAPACITY	B1 OVERALL SPAN	B2 MAX. SPAN BETWEEN WHEEL CENTERS	C CLEAR SPAN	D1 HEIGHT UNDER BEAM	D2 OVERALL HEIGHT	E1 BEAM SIZE	E2 FLANGE WIDTH	F TREAD	G CASTER DIA.	NET WT (LBS.)	MODEL
2 TON	15'	14' 7"	12' 0"	20' 0"	20' 10"	S10"X25.4#	4-5/8"	7' 5"	8"	1,171	2PF1520
		14' 5"	12' 0"	25' 0"	25' 10"	S10"X25.4#	4-5/8"	9' 4"	8"	1,526	2PF1525
		14' 5"	12' 0"	30' 0"	30' 10"	S10"X25.4#	4-5/8"	11' 2"	8"	2,026	2PF1530
		14' 5"	11' 0"	35' 0"	35' 10"	S10"X25.4#	4-5/8"	13' 1"	8"	2,215	2PF1535
	20'	19' 7"	17' 0"	20' 0"	21' 0"	S12"X31.8#	5"	7' 5"	8"	1,426	2PF2020
		19' 5"	17' 0"	25' 0"	26' 0"	S12"X31.8#	5"	9' 4"	8"	1,781	2PF2025
		19' 5"	17' 0"	30' 0"	31' 0"	S12"X31.8#	5"	11' 2"	8"	2,281	2PF2030
		19' 5"	16' 0"	35' 0"	36' 0"	S12"X31.8#	5"	13' 1"	8"	2,215	2PF2035
	25'	24' 7"	21' 0"	20' 0"	21' 3"	S15"X42.9#	5-1/2"	7' 5"	8"	1,932	2PF2520
		24' 5"	21' 0"	25' 0"	26' 3"	S15"X42.9#	5-1/2"	9' 4"	8"	2,176	2PF2525
		24' 5"	21' 0"	30' 0"	31' 3"	S15"X42.9#	5-1/2"	11' 2"	8"	2,718	2PF2530
		24' 5"	21' 0"	35' 0"	36' 3"	S15"X42.9#	5-1/2"	13' 1"	8"	2,907	2PF2535
	30'	29' 7"	26' 0"	20' 0"	21' 6"	S18"X54.7#	6"	7' 5"	8"	2,500	2PF3020
		29' 5"	26' 0"	25' 0"	26' 6"	S18"X54.7#	6"	9' 4"	8"	2,744	2PF3025
		29' 5"	26' 0"	30' 0"	31' 6"	S18"X54.7#	6"	11' 2"	8"	3,286	2PF3030
		29' 5"	25' 0"	35' 0"	36' 6"	S18"X54.7#	6"	13' 1"	8"	3,480	2PF3035
	35'	34' 7"	31' 0"	20' 0"	21' 7"	S18"X54.7#*	6"	7' 5"	8"	3,126	2PF3520
		34' 5"	31' 0"	25' 0"	26' 7"	S18"X54.7#*	6"	9' 4"	8"	3,370	2PF3525
		34' 5"	30' 0"	30' 0"	31' 7"	S18"X54.7#*	6"	11' 2"	8"	3,912	2PF3530
		34' 5"	30' 0"	35' 0"	36' 7"	S18"X54.7#*	6"	13' 1"	8"	4,106	2PF3535
	40'	39' 7"	35' 0"	20' 0"	21' 7"	S18"X54.7#*	6"	7' 5"	8"	3,513	2PF4020
		39' 5"	35' 0"	25' 0"	26' 7"	S18"X54.7#*	6"	9' 4"	8"	3,704	2PF4025
		39' 5"	35' 0"	30' 0"	31' 7"	S18"X54.7#*	6"	11' 2"	8"	4,246	2PF4030
		39' 5"	35' 0"	35' 0"	36' 7"	S18"X54.7#*	6"	13' 1"	8"	4,440	2PF4035

* Capped Beam

SPANCO GANTRY CRANES

PF-SERIES All-Steel Construction (continued)



A CAPACITY	B1 OVERALL SPAN	B2 MAX. SPAN BETWEEN WHEEL CENTERS	C CLEAR SPAN	D1 HEIGHT UNDER BEAM	D2 OVERALL HEIGHT	E1 BEAM SIZE	E2 FLANGE WIDTH	F TREAD	G CASTER DIA.	NET WT (LBS.)	MODEL
3 TON	15'	14' 5"	12' 0"	20' 0"	20' 10"	S10"X25.4	4-5/8"	7' 5"	8"	1,378	3PF1520
		14' 3"	12' 0"	25' 0"	25' 10"	S10"X25.4	4-5/8"	9' 4"	8"	2,377	3PF1525
		14' 3"	11' 0"	30' 0"	30' 10"	S10"X25.4	4-5/8"	11' 3"	8"	2,666	3PF1530
		14' 3"	11' 0"	35' 0"	35' 10"	S10"X25.4	4-5/8"	13' 1"	8"	2,967	3PF1535
	20'	19' 5"	17' 0"	20' 0"	21' 3"	S15"X42.9#	5-1/2"	7' 5"	8"	1,855	3PF2020
		19' 3"	17' 0"	25' 0"	26' 3"	S15"X42.9#	5-1/2"	9' 4"	8"	2,854	3PF2025
		19' 3"	16' 0"	30' 0"	31' 3"	S15"X42.9#	5-1/2"	11' 3"	8"	3,193	3PF2030
		19' 3"	16' 0"	35' 0"	36' 3"	S15"X42.9#	5-1/2"	13' 1"	8"	3,444	3PF2035
	25'	24' 5"	21' 0"	20' 0"	21' 6"	S18"X54.7#	6"	7' 5"	8"	2,404	3PF2520
		24' 3"	21' 0"	25' 0"	26' 6"	S18"X54.7#	6"	9' 4"	8"	3,364	3PF2525
		24' 3"	21' 0"	30' 0"	31' 6"	S18"X54.7#	6"	11' 3"	8"	3,703	3PF2530
		24' 3"	21' 0"	35' 0"	36' 6"	S18"X54.7#	6"	13' 1"	8"	3,954	3PF2535
	30'	29' 5"	26' 0"	20' 0"	21' 7"	S18"X54.7#*	6"	7' 5"	8"	3,032	3PF3020
		29' 3"	26' 0"	25' 0"	26' 7"	S18"X54.7#*	6"	9' 4"	8"	3,978	3PF3025
		29' 3"	26' 0"	30' 0"	31' 7"	S18"X54.7#*	6"	11' 3"	8"	4,349	3PF3030
		29' 3"	25' 0"	35' 0"	36' 7"	S18"X54.7#*	6"	13' 1"	8"	4,558	3PF3035
	35'	34' 5"	31' 0"	20' 0"	21' 7"	S18"X54.7#*	6"	7' 5"	8"	3,660	3PF3520
		34' 3"	31' 0"	25' 0"	26' 7"	S18"X54.7#*	6"	9' 4"	8"	4,593	3PF3525
		34' 3"	31' 0"	30' 0"	31' 7"	S18"X54.7#*	6"	11' 3"	8"	4,995	3PF3530
		34' 3"	30' 0"	35' 0"	36' 7"	S18"X54.7#*	6"	13' 1"	8"	5,163	3PF3535
	40'	39' 5"	35' 0"	20' 0"	21' 7"	S18"X54.7#*	6"	7' 5"	8"	4,288	3PF4020
		39' 3"	35' 0"	25' 0"	26' 7"	S18"X54.7#*	6"	9' 4"	8"	5,207	3PF4025
		39' 3"	35' 0"	30' 0"	31' 7"	S18"X54.7#*	6"	11' 3"	8"	5,641	3PF4030
		39' 3"	35' 0"	35' 0"	36' 7"	S18"X54.7#*	6"	13' 1"	8"	5,767	3PF4035

A CAPACITY	B1 OVERALL SPAN	B2 MAX. SPAN BETWEEN WHEEL CENTERS	C CLEAR SPAN	D1 HEIGHT UNDER BEAM	D2 OVERALL HEIGHT	E1 BEAM SIZE	E2 FLANGE WIDTH	F TREAD	G CASTER DIA.	NET WT (LBS.)	MODEL
5 TON	15'	14' 3"	12' 0"	20' 0"	21' 3"	S15"X42.9#	5-1/2"	7' 6"	8"	2,335	5PF1520
		14' 3"	12' 0"	25' 0"	26' 3"	S15"X42.9#	5-1/2"	9' 4"	8"	2,640	5PF1525
		14' 3"	11' 0"	30' 0"	31' 3"	S15"X42.9#	5-1/2"	11' 2"	8"	2,980	5PF1530
		14' 3"	11' 0"	35' 0"	36' 3"	S15"X42.9#	5-1/2"	13' 1"	8"	3,280	5PF1535
	20'	19' 3"	17' 0"	20' 0"	21' 6"	S18"X54.7#	6"	7' 6"	8"	2,785	5PF2020
		19' 3"	17' 0"	25' 0"	26' 6"	S18"X54.7#	6"	9' 4"	8"	3,090	5PF2025
		19' 3"	16' 0"	30' 0"	31' 6"	S18"X54.7#	6"	11' 2"	8"	3,430	5PF2030
		19' 3"	16' 0"	35' 0"	36' 6"	S18"X54.7#	6"	13' 1"	8"	3,730	5PF2035
	25'	24' 3"	21' 0"	20' 0"	21' 7"	S18"X54.7#*	6"	7' 6"	8"	3,344	5PF2520
		24' 3"	21' 0"	25' 0"	26' 7"	S18"X54.7#*	6"	9' 4"	8"	3,649	5PF2525
		24' 3"	21' 0"	30' 0"	31' 7"	S18"X54.7#*	6"	11' 2"	8"	3,989	5PF2530
		24' 3"	20' 0"	35' 0"	36' 7"	S18"X54.7#*	6"	13' 1"	8"	4,269	5PF2535
	30'	29' 3"	26' 0"	20' 0"	21' 7"	S18"X54.7#*	6"	7' 6"	8"	3,663	5PF3020
		29' 3"	26' 0"	25' 0"	26' 7"	S18"X54.7#*	6"	9' 4"	8"	3,968	5PF3025
		29' 3"	26' 0"	30' 0"	31' 7"	S18"X54.7#*	6"	11' 2"	8"	4,308	5PF3030
		29' 3"	25' 0"	35' 0"	36' 7"	S18"X54.7#*	6"	13' 1"	8"	4,538	5PF3035
	35'	34' 3"	31' 0"	20' 0"	21' 7"	S18"X54.7#*	6"	7' 6"	8"	4,401	5PF3520
		34' 3"	31' 0"	25' 0"	26' 7"	S18"X54.7#*	6"	9' 4"	8"	4,706	5PF3525
		34' 3"	31' 0"	30' 0"	31' 7"	S18"X54.7#*	6"	11' 2"	8"	5,051	5PF3530
		34' 3"	30' 0"	35' 0"	36' 7"	S18"X54.7#*	6"	13' 1"	8"	5,326	5PF3535
	40'	39' 3"	35' 0"	20' 0"	22' 1"	S24"X80#*	7"	7' 6"	8"	5,754	5PF4020
		39' 3"	35' 0"	25' 0"	27' 1"	S24"X80#*	7"	9' 4"	8"	6,059	5PF4025
		39' 3"	35' 0"	30' 0"	32' 1"	S24"X80#*	7"	11' 2"	8"	6,394	5PF4030
		39' 3"	35' 0"	35' 0"	37' 1"	S24"X80#*	7"	13' 1"	8"	6,669	5PF4035

* Capped Beam

A CAPACITY	B1 OVERALL SPAN	B2 MAX. SPAN BETWEEN WHEEL CENTERS	C CLEAR SPAN	D1 HEIGHT UNDER BEAM	D2 OVERALL HEIGHT	E1 BEAM SIZE	E2 FLANGE WIDTH	F TREAD	G CASTER DIA.	NET WT (LBS.)	MODEL
7½ TON	15'	14' 3"	12' 0"	20' 0"	21' 6"	S18"X54.7#	6"	7' 4"	12"	2,653	7PF1520
		14' 3"	12' 0"	25' 0"	26' 6"	S18"X54.7#	6"	9' 2"	12"	2,958	7PF1525
		14' 2"	11' 0"	30' 0"	31' 6"	S18"X54.7#	6"	11' 1"	12"	3,457	7PF1530
		14' 2"	11' 0"	35' 0"	36' 6"	S18"X54.7#	6"	13' 0"	12"	5,274	7PF1535
	20'	19' 3"	17' 0"	20' 0"	21' 7"	S18"X54.7##*	6"	7' 4"	12"	3,125	7PF2020
		19' 3"	17' 0"	25' 0"	26' 7"	S18"X54.7##*	6"	9' 2"	12"	3,430	7PF2025
		19' 2"	16' 0"	30' 0"	31' 7"	S18"X54.7##*	6"	11' 1"	12"	3,959	7PF2030
		19' 2"	16' 0"	35' 0"	36' 7"	S18"X54.7##*	6"	13' 0"	12"	5,746	7PF2035
	25'	24' 3"	21' 0"	20' 0"	21' 7"	S18"X54.7##*	6"	7' 4"	12"	3,540	7PF2520
		24' 3"	21' 0"	25' 0"	26' 7"	S18"X54.7##*	6"	9' 2"	12"	3,845	7PF2525
		24' 2"	21' 0"	30' 0"	31' 7"	S18"X54.7##*	6"	11' 1"	12"	4,344	7PF2530
		24' 2"	20' 0"	35' 0"	36' 7"	S18"X54.7##*	6"	13' 0"	12"	6,140	7PF2535
	30'	29' 3"	26' 0"	20' 0"	22' 1"	S24"X80##*	7"	7' 4"	12"	4,301	7PF3020
		29' 3"	26' 0"	25' 0"	27' 1"	S24"X80##*	7"	9' 2"	12"	4,606	7PF3025
		29' 2"	26' 0"	30' 0"	32' 1"	S24"X80##*	7"	11' 1"	12"	5,148	7PF3030
		29' 2"	25' 0"	35' 0"	37' 1"	S24"X80##*	7"	13' 0"	12"	6,901	7PF3035
	35'	34' 3"	31' 0"	20' 0"	22' 1"	S24"X80##*	7"	7' 4"	12"	5,197	7PF3520
		34' 3"	31' 0"	25' 0"	27' 1"	S24"X80##*	7"	9' 2"	12"	5,502	7PF3525
		34' 2"	31' 0"	30' 0"	32' 1"	S24"X80##*	7"	11' 1"	12"	6,424	7PF3530
		34' 2"	30' 0"	35' 0"	37' 1"	S24"X80##*	7"	13' 0"	12"	7,847	7PF3535
	40'	39' 3"	35' 0"	20' 0"	22' 1"	S24"X80##*	7"	7' 4"	12"	6,102	7PF4020
		39' 3"	35' 0"	25' 0"	27' 1"	S24"X80##*	7"	9' 2"	12"	7,019	7PF4025
		39' 2"	35' 0"	30' 0"	32' 1"	S24"X80##*	7"	11' 1"	12"	7,571	7PF4030
		39' 2"	35' 0"	35' 0"	37' 1"	S24"X80##*	7"	13' 0"	12"	9,319	7PF4035

A CAPACITY	B1 OVERALL SPAN	B2 MAX. SPAN BETWEEN WHEEL CENTERS	C CLEAR SPAN	D1 HEIGHT UNDER BEAM	D2 OVERALL HEIGHT	E1 BEAM SIZE	E2 FLANGE WIDTH	F TREAD	G CASTER DIA.	NET WT (LBS.)	MODEL
10 TON	15'	14' 3"	12' 0"	20' 0"	21' 6"	S18"X54.7#	6"	7' 4"	12"	2,677	10PF1520
		14' 3"	12' 0"	25' 0"	26' 6"	S18"X54.7#	6"	9' 2"	12"	2,982	10PF1525
		14' 2"	11' 0"	30' 0"	31' 6"	S18"X54.7#	6"	11' 1"	12"	4,652	10PF1530
		14' 2"	11' 0"	35' 0"	36' 6"	S18"X54.7#	6"	13' 0"	12"	5,298	10PF1535
	20'	19' 3"	17' 0"	20' 0"	22' 0"	S24"X80#	7"	7' 4"	12"	3,736	10PF2020
		19' 3"	17' 0"	25' 0"	27' 0"	S24"X80#	7"	9' 2"	12"	3,761	10PF2025
		19' 2"	16' 0"	30' 0"	32' 0"	S24"X80#	7"	11' 1"	12"	5,456	10PF2030
		19' 2"	16' 0"	35' 0"	37' 0"	S24"X80#	7"	13' 0"	12"	6,102	10PF2035
	25'	24' 3"	21' 0"	20' 0"	22' 1"	S24"X80##*	7"	7' 4"	12"	4,738	10PF2520
		24' 3"	21' 0"	25' 0"	27' 1"	S24"X80##*	7"	9' 2"	12"	5,043	10PF2525
		24' 2"	21' 0"	30' 0"	32' 1"	S24"X80##*	7"	11' 1"	12"	6,733	10PF2530
		24' 2"	20' 0"	35' 0"	37' 1"	S24"X80##*	7"	13' 0"	12"	7,388	10PF2535
	30'	29' 3"	26' 0"	20' 0"	22' 1"	S24"X80##*	7"	7' 4"	12"	5,041	10PF3020
		29' 3"	26' 0"	25' 0"	27' 1"	S24"X80##*	7"	9' 2"	12"	5,346	10PF3025
		29' 2"	26' 0"	30' 0"	32' 1"	S24"X80##*	7"	11' 1"	12"	7,036	10PF3030
		29' 2"	25' 0"	35' 0"	37' 1"	S24"X80##*	7"	13' 0"	12"	7,691	10PF3035
	35'	34' 3"	31' 0"	20' 0"	22' 1"	S24"X80##*	7"	7' 4"	12"	5,572	10PF3520
		34' 3"	31' 0"	25' 0"	27' 1"	S24"X80##*	7"	9' 2"	12"	5,877	10PF3525
		34' 2"	30' 0"	30' 0"	32' 1"	S24"X80##*	7"	11' 1"	12"	7,197	10PF3530
		34' 2"	30' 0"	35' 0"	37' 1"	S24"X80##*	7"	13' 0"	12"	8,172	10PF3535
	40'	39' 3"	35' 0"	20' 0"	22' 1"	S24"X80##*	7"	7' 4"	12"	6,713	10PF4020
		39' 3"	35' 0"	25' 0"	27' 1"	S24"X80##*	7"	9' 2"	12"	7,318	10PF4025
		39' 2"	35' 0"	30' 0"	32' 1"	S24"X80##*	7"	11' 1"	12"	8,713	10PF4030
		39' 2"	35' 0"	35' 0"	37' 1"	S24"X80##*	7"	13' 0"	12"	9,563	10PF4035

* Capped Beam

SPANCO GANTRY CRANES

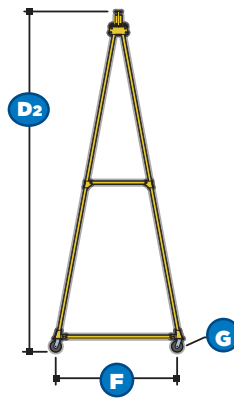
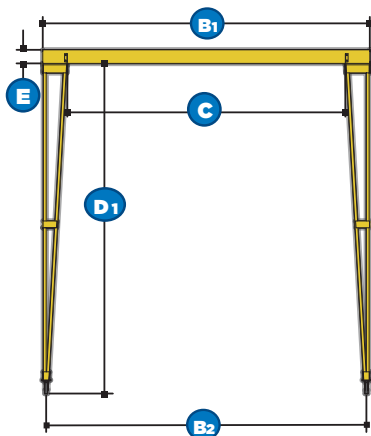
PF-SERIES All-Steel Construction (continued)



A CAPACITY	B1 OVERALL SPAN	B2 MAX. SPAN BETWEEN WHEEL CENTERS	C CLEAR SPAN	D1 HEIGHT UNDER BEAM	D2 OVERALL HEIGHT	E1 BEAM SIZE	E2 FLANGE WIDTH	F TREAD	G CASTER DIA.	NET WT (LBS.)	MODEL
15 TON	15'	14' 3"	11' 0"	20' 0"	22' 1"	S24"X80#	7"	7' 4"	12"†	4,415	15PF1520
		14' 3"	11' 0"	25' 0"	27' 1"	S24"X80#	7"	9' 2"	12"†	4,859	15PF1525
		14' 3"	10' 0"	30' 0"	32' 1"	S24"X80#	7"	11' 1"	12"†	5,932	15PF1530
		14' 3"	10' 0"	35' 0"	37' 1"	S24"X80#	7"	13' 0"	12"†	7,822	15PF1535
	20'	19' 3"	16' 0"	20' 0"	22' 1"	S24"X80#*	7"	7' 4"	12"†	5,359	15PF2020
		19' 3"	16' 0"	25' 0"	27' 1"	S24"X80#*	7"	9' 2"	12"†	5,888	15PF2025
		19' 3"	15' 0"	30' 0"	32' 1"	S24"X80#*	7"	11' 1"	12"†	6,876	15PF2030
		19' 3"	15' 0"	35' 0"	37' 1"	S24"X80#*	7"	13' 0"	12"†	8,766	15PF2035
	25'	24' 3"	21' 0"	20' 0"	22' 1"	S24"X80#*	7"	7' 4"	12"†	5,867	15PF2520
		24' 3"	21' 0"	25' 0"	27' 1"	S24"X80#*	7"	9' 2"	12"†	6,311	15PF2525
		24' 3"	20' 0"	30' 0"	32' 1"	S24"X80#*	7"	11' 1"	12"†	7,375	15PF2530
		24' 3"	20' 0"	35' 0"	37' 1"	S24"X80#*	7"	13' 0"	12"†	9,265	15PF2535
	30'	29' 3"	26' 0"	20' 0"	22' 1"	S24"X106#*	7-7/8"	7' 4"	12"†	7,253	15PF3020
		29' 3"	26' 0"	25' 0"	27' 1"	S24"X106#*	7-7/8"	9' 2"	12"†	7,697	15PF3025
		29' 3"	25' 0"	30' 0"	32' 1"	S24"X106#*	7-7/8"	11' 1"	12"†	8,761	15PF3030
		29' 3"	25' 0"	35' 0"	37' 1"	S24"X106#*	7-7/8"	13' 0"	12"†	10,651	15PF3035
	35'	34' 3"	31' 0"	20' 0"	22' 1"	S24"X106#*	7-7/8"	7' 4"	12"†	8,175	15PF3520
		34' 3"	30' 0"	25' 0"	27' 1"	S24"X106#*	7-7/8"	9' 2"	12"†	8,629	15PF3525
		34' 3"	30' 0"	30' 0"	32' 1"	S24"X106#*	7-7/8"	11' 1"	12"†	9,711	15PF3530
		34' 3"	30' 0"	35' 0"	37' 1"	S24"X106#*	7-7/8"	13' 0"	12"†	11,573	15PF3535

* Capped Beam

† 2' Dual Casters



A Spanco 10-Ton PF-Series Gantry Crane with power drive using guide angle for easy travel over a fixed route.

GANTRY CRANES SINGLE LEG

FLOOR-MAXIMIZING DESIGNS

Spanco® Single Leg Gantry Cranes provide material handling solutions for plants that cannot fit a double leg gantry due to narrow, confined spaces or crowded machinery.

Our single leg gantry cranes maximize floor space. While one end travels along a wall or column, the other end is supported by a single leg moving along the floor.



*Top-Running
Single Leg Gantry*



A Spanco 3-Ton Single Leg Gantry Crane with one end supported overhead and one end traveling along the floor.

EXCELLENT ALTERNATIVE TO EXPENSIVE OVERHEAD CRANES

Spanco Semi-Gantry Cranes offer high-capacity high-height economical lifting solutions when:

- Your plants cannot fit a double leg gantry due to narrow, confined spaces or crowded machinery.
- Your lifting volume is moderate and can't justify more expensive permanently installed cranes. Our standard single leg gantry cranes are CMAA Class C Service.
- You need an economical, versatile lifting system to supplement your existing overhead cranes.



A Top-Running Single Leg Gantry Crane traveling along a ceiling-mounted runway.

SPANCO SINGLE LEG GANTRY CRANES

Semi-Gantries	Capacities*	Heights Under I-Beam*	Span Lengths*
Top Running	Up to 15 tons	Up to 35'	Up to 40'

**The maximum capacities and dimensions listed above vary depending on the combination of the span, capacity, and HUB selected for the system. Larger spans and heights may be available.*

GANTRY CRANES WIDE-FLANGE

CUSTOM-ENGINEERED CLASS C & D SOLUTIONS

Made for extra strength, rigidity, and durability, Spanco® Wide-Flange Gantry Cranes are custom-engineered lifting solutions for CMAA Class C or D Service, or for any application that requires a very long span.

Our wide-flange crane configurations include double or single leg gantry cranes featuring our highest capacities and spans.



Wide-Flange Gantry Cranes Are Ideal for Applications Needing:

- **Supplemental Lifting Systems:** to free up existing large overhead cranes.
- **Wide, Clear Passage:** underneath the gantry beam for machinery, vehicles, and personnel.
- **CMAA Class C, Moderate Service:** using a gantry crane that requires no floor tracks (or, for single leg designs, no guide angles). Travels directly on the floor with polyurethane-coated wheels for maximum traction and quiet operation; speeds up to 75 FPM.
- **CMAA Class D, Heavy Service:** Single or double leg gantry cranes using double-flange wheels and ASCE rail; speeds up to 75 FPM.

SPANCO WIDE-FLANGE GANTRY CRANES

Wide Flange	Capacities*	Heights Under I-Beam*	Span Lengths*
Wide Flange	Up to 15 tons	Up to 35'	Up to 55'

**The maximum capacities and dimensions listed above vary depending on the combination of the span, capacity, and HUB selected for the system. Larger spans and heights may be available.*

WIDE-FLANGE END TRUCK DESIGNS

Spanco Wide-Flange Gantry Cranes feature end trucks that deliver smooth start-ups, stable movement, and precision wheel alignment for even transfer of power to all wheels.

- Floor-contact end trucks use large diameter tread wheels for excellent traction.
- End trucks for ASCE rail have guide rollers and anti-kick-up rollers to keep them securely aligned against both sides of the track's flange.
- Rotational axles provide easy servicing of wheels, axles, and bearings.

OPTIONS FOR WIDE-FLANGE GANTRY CRANES

- Electric inverter power drives
- Air drives
- Motor brakes
- Push-button station controls
- Warning lights, audible alarms, flood lights, or travel limit switches
- Top running end trucks for semi-gantries
- Designs for heavy service or hazardous areas
- Special paint finishes

A Spanco Motorized 5-ton Wide-Flange Single-Leg Gantry Crane with an overall span of 20 feet and 15 feet under the beam.



GANTRY CRANES POWER DRIVE KITS

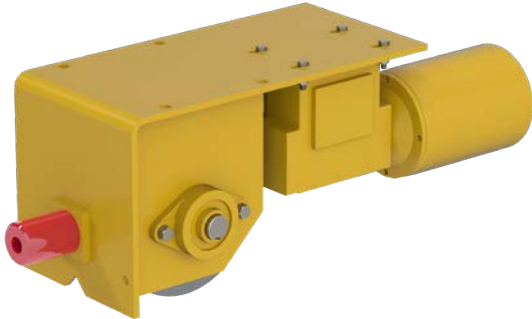
HIGH VOLUME GANTRY TRAVEL

Spanco® Power Drive Kits for our PF-Series Gantry Cranes allow high-volume, high-capacity gantry travel along V-groove tracks, guide angles, or trackless paths guided by control pendants.

Our Power Drive Kits can be specified on new gantries or retrofitted onto an existing Spanco PF-Series Gantry Crane.

Each Spanco Power Drive Kit Includes:

- Two drives with drive wheels, two idler assemblies, sprockets, and chains
- Two double-reduction gear reducers
- Two single-speed, 230/460V, 3-phase, TEFC or TENV motors
- Standard travel speed of 50 FPM; custom speeds available



Double Leg Gantry



*Top-Running
Single Leg Gantry*

SAMPLE CONFIGURATIONS FOR DRIVES & GANTRY CRANE TRAVEL

Double Leg Gantries: This configuration demonstrates two motors driving rigid steel V-groove wheels along a fixed path. The track is an inverted steel angle welded to a flat stock for smooth gantry travel.

Single Leg Gantries, Top-Running: This configuration demonstrates a top-running end truck with one end of the crane traveling overhead, and one end supported by a single leg and trackless power drive. For additional information on Spanco Single-Leg Gantry Cranes, please see page 31.

GUIDE OPTIONS FOR POWER DRIVE KITS

- **Drive Kits for V-Tracks:** V-groove track and stops are for use with V-groove casters. Two motors drive rigid steel V-groove wheels along a fixed path. The track is an inverted steel angle welded to a flat stock. All parts are fabricated with male/female ends and fasten to floors with 3/8-inch lag bolts.
- **Drive Kits for Guide Angles:** On one side of the gantry, a motor drives polyurethane casters that are guided by a guide angle. On the other side of the gantry, a second motor drives trackless polyurethane-coated casters. The guide angle is typically installed at the base of a wall, so the rest of your floor remains free of obstacles. The kit includes guide rollers on one drive and one idler assembly. Both drive and idler come with polyurethane bumpers.
- **Drive Kits for Truly Trackless Gantry Travel:** Ideal when you need to keep your shop floor clear of any tracks or guide angles. A selector switch on the control pendant selectively turns each motor on and off to steer the gantry.



Spanco Guide Angle Drive Kit with Guide Rollers.

Additional Drive Options

- Top-running end trucks for single leg (semi-gantry) configurations; see page 34 for more information.
- Motor brakes
- Air-driven power drive kits
- Crane controls
- Push-button stations
- Control enclosures suitable for severe environments or hazardous areas
- Warning lights and audible alarms
- Crane wiring
- Festooning systems: tagline, flat cable, and box track

MOBILE LIFT SOLUTIONS THAT CAN GO ANYWHERE

Spanco® Industrial Tripods provide mobile, heavy-lifting solutions almost anywhere — including tight spaces and outdoor locations. Your lifting is no longer limited to areas with overhead structures or access to cranes or forklifts.

For fast height adjustment, the tripod's telescoping legs are independently adjustable in six-inch increments — which is also ideal for set-up on uneven surfaces.

The tripod's free swiveling eyebolt hangs plumb to protect the head from twists and strains while also keeping the lifting device perfectly plumb.



Spanco Tripod Features

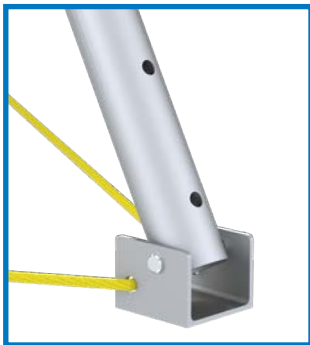
- Spanco Tripod can be used on all hard surfaces with our standard aluminum flat feet.
- You can also order your tripod with mud feet for soft ground. The mud feet have integral spikes to firmly entrench the legs and a Wide-Flange to prevent the legs from sinking into the ground. Order both types of interchangeable feet for maximum flexibility on all surfaces.
- Our cable lashing kit (included with all orders) keeps the tripod's legs from spreading.
- Quick, easy setup: Tripod legs conveniently fold and unfold for portability and storage; no disassembly required.
- Capacities up to 2 tons for steel and aluminum tripods.

Lifting Device Compatibility

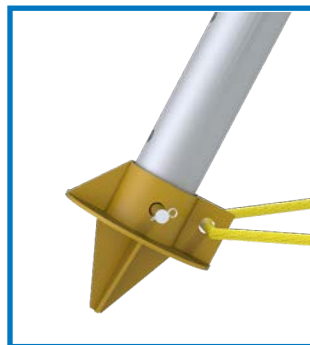
- Frequently used with pulleys or block and tackle.
- Compatible with most 1 and 2-ton chain-mounted manual hoists.

SPANCO TRIPOD CRANES

Tripods	Capacities	Heights Under Eyebolt
Steel	1-ton or 2-ton	from 5' 2" to 13' 9"
Aluminum	1-ton or 2-ton	from 5' 2" to 13' 9"



Aluminum flat feet



Steel mud feet



Adjustable Height



Swiveling Eyebolt



A worker using a Spanco Tripod with Mud Feet to lift a manhole cover single-handedly.



Spanco Tripods are easily disassembled and transported from one jobsite to another

TRIPODS

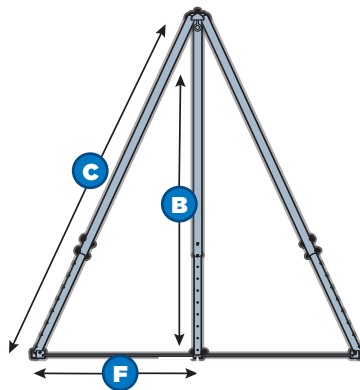


Flat Aluminum Feet (standard)

A CAPACITY	B HEIGHT: EYEBOLT TO FLOOR		C OVERALL LENGTH		F DISTANCE BETWEEN LEGS		NET WT. (LBS.)	MODEL
	Min.	Max.	Min.	Max.	Min.	Max.		
1-TON Steel Adjustable	8' 7"	13' 9"	10' 0"	16' 2"	9' 3"	14' 6"	220	ATS-02-1309S
1-TON Aluminum Adjustable	5' 2"	8' 7"	6' 0"	10' 0"	5' 10"	9' 2"	60	ATA-02-0805S
	6' 10"	11' 2"	8' 0"	13' 0"	7' 7"	11' 9"	70	ATA-02-1107S
	8' 7"	13' 9"	10' 2"	16' 2"	9' 3"	14' 6"	140	ATA-02-1309S
2-TON Steel Adjustable	8' 7"	13' 9"	10' 0"	16' 2"	9' 3"	14' 6"	220	ATS-04-1309S
2-TON Aluminum Adjustable	6' 10"	11' 2"	8' 0"	13' 0"	7' 7"	11' 9"	120	ATA-04-1107S
	8' 7"	13' 9"	10' 2"	16' 2"	9' 3"	14' 6"	140	ATA-04-13095S

Mud Feet (for soft ground)

A CAPACITY	B HEIGHT: EYEBOLT TO FLOOR		C OVERALL LENGTH		F DISTANCE BETWEEN LEGS		NET WT. (LBS.)	MODEL
	Min.	Max.	Min.	Max.	Min.	Max.		
1-TON Steel Adjustable	8' 7"	13' 9"	10' 0"	16' 2"	9' 3"	14' 6"	220	ATS-02-1309M
1-TON Aluminum Adjustable	5' 2"	8' 7"	6' 0"	10' 0"	5' 10"	9' 2"	60	ATA-02-0805M
	6' 10"	11' 2"	8' 0"	13' 0"	7' 7"	11' 9"	70	ATA-02-1107M
	8' 7"	13' 9"	10' 2"	16' 2"	9' 3"	14' 6"	140	ATA-02-1309M
2-TON Steel Adjustable	8' 7"	13' 9"	10' 0"	16' 2"	9' 3"	14' 6"	220	ATS-04-1309M
2-TON Aluminum Adjustable	6' 10"	11' 2"	8' 0"	13' 0"	7' 7"	11' 9"	120	ATA-04-1107M
	8' 7"	13' 9"	10' 2"	16' 2"	9' 3"	14' 6"	140	ATA-04-1309M



PRODUCT WARRANTY COVERAGE

Spanco, Inc. warrants its products to be free from defects in material and workmanship as follows:

- Manual Systems and Equipment: Ten Years
- Motorized Systems and Equipment and Paint and Finishes for Non-Aluminum Components: Two Years

Ten-Year Warranty Coverage:

- Defects in equipment material and workmanship of manual systems and equipment
- Only applies to the wearable wheels on workstation bridge crane end trucks and hoist trolleys

Spanco, Inc. warrants its manual workstation bridge crane, jib crane, and gantry crane products to be free from defects in material and workmanship for a period of ten (10) years or 20,000 hours, commencing on the date of shipment to the first retail purchaser. This warranty extends only to parts that are not subject to normal wear and tear from use (nonwearable), with the exception that it does apply to the wearable wheels supplied on manually operated workstation end trucks and hoist trolleys.

Two-Year Warranty Coverage:

- Defects in equipment material and workmanship of motorized systems and equipment
- Paint coatings and finishes for non-aluminum components

Spanco, Inc. warrants motorized equipment to be free from defects in material and workmanship for a period of two (2) years or 4,000 hours, commencing on the date of shipment to the first retail purchaser. Spanco, Inc. warrants its paint and finishes for a period of two (2) years. Warranty claims related to coatings must be accompanied by documentation of the product's application and environmental conditions from time of delivery to time of claim.

WARRANTY TERMS & CONDITIONS

All warranty claims must be approved by Spanco before any work is performed. Spanco's obligation under this warranty is limited to the replacement or repair of Spanco products at the factory or separate location approved by Spanco. **Other than the above mentioned warranty, Spanco will not honor any other warranties—whether expressed, implied, or statutory—and disclaims any warranties of merchantability or fitness for a particular purpose.** Spanco has the right to reject any warranty claim due to harsh and/or inappropriate environmental conditions.

Spanco Is Not Liable for:

- Indirect, incidental, or consequential damages including lost profits, operating costs, loss of production, or travel expenses
- Components or accessories not manufactured by Spanco
- Defective equipment or system failure caused by misuse, negligence, and improper installation or maintenance
- Equipment that has been used in excess of its rated capacity or beyond its service factors
- Rework and modification of any equipment that has been altered without Spanco's written authorization
- Freight charges and damage incurred by freight carriers
- Any loss, injury, or damage to persons or property resulting from failure or defective operation of material or equipment

Reimbursement Disclaimer:

- Written notice of any claimed system defect must be given to Spanco within ninety (90) days of shipment.
- All requests for reimbursement must be accompanied by proper documentation.
- Reimbursement is provided in the form of a credit unless otherwise approved by Spanco management.
- Reimbursement for labor will be provided at a maximum rate of \$75 per hour.
- All reimbursement is subject to approval by Spanco management.

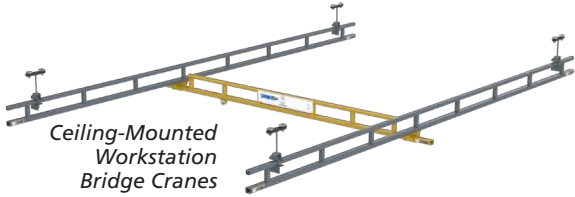
SPANCO FAMILY OF LIFTING SOLUTIONS



Lightweight and Portable Aluminum Gantries



Versatile Steel Gantry Cranes



Ceiling-Mounted Workstation Bridge Cranes



Monorails



Freestanding Workstation Bridge Cranes



Wall-Mounted Jib Cranes

To learn more about Spanco's full line of material handling products, including Jib Cranes, Gantry Cranes, and Workstation Bridge Cranes, please visit Spanco.com.



Freestanding Jib Cranes



GANTRY CRANES NEXT STEP

Our engineering department stands ready to help you or your qualified architect or engineer address any and all challenging applications. If you ever have any questions regarding the installation, operation, or maintenance of your gantry crane, call us at 800-869-2080.

To find your manufacturer's rep, visit Spanco.com or call us at **800-869-2080**. We'll connect you with the most qualified local Spanco dealer for your application. Your dealer will gladly review your needs in-person and make expert recommendations. We stand ready to deliver on our Promise to Perform.



Spanco, Inc. ■ Morgantown, PA ■ Las Vegas, NV
Toll Free: 800-869-2080 ■ Local: 610-286-7200 ■ Mexico: 1-610-286-7200
Email: info@Spanco.com ■ Website: Spanco.com

©2022 Spanco®, Inc. All rights reserved. All specifications and product designs subject to change without notice. All trademarks are the sole property of their respective owners.

SP-GC-BR1022V1